



Ropox Support Washbasin Complete

Fixed – Basic - Manual

USER MANUAL

MOUNTING INSTRUCTIONS




Keep this manual with the product at all times

PA 2004 00634


Table of Contents

1.	SYMBOLS USED IN THIS MANUAL	3
2.	GENERAL SAFETY	3
2.1	PRODUCT UNIT LABEL	5
3.	GENERAL REQUIREMENTS	6
3.1	PRODUCT INFORMATION	6
3.2	PRODUCT DESCRIPTION	6
3.3	INTENDED USE	6
3.4	INTENDED OPERATOR	7
3.5	ESSENTIAL PERFORMANCE	7
3.6	NONCLINICAL FUNCTIONS	7
3.7	CLINICAL FUNCTIONS	7
3.8	PRODUCT DIMENSIONS	7
3.9	OPERATION	9
4.	MOUNTING INSTRUCTIONS	10
4.1	INSTALLATION INTERFACES	10
4.2	CONNECTION ADAPTERS	13
4.3	LIST OF COMPONENTS	14
4.4	INSTALLATION OF PRODUCT	17
4.4.1	<i>Support Washbasin, Fixed (40-44000/01)</i>	<i>17</i>
4.4.2	<i>Support Washbasin with Basic frame (40-4002/03)</i>	<i>18</i>
4.4.3	<i>Mounting of covers for 40-44000/01 & 40-44002/03</i>	<i>23</i>
4.4.4	<i>Support Washbasin with Manual frame (40-44004/05)</i>	<i>27</i>
4.4.5	<i>Mounting of covers for 40-44004/05</i>	<i>35</i>
5.	PERFORMANCE TEST	39
6.	SAFETY IN USE	39
7.	SERVICE AND MAINTENANCE	40
7.1	CLEANING	40
7.2	CLEANING OF TABLETOP AND WASHBASIN	40
7.3	INSPECTION	40
7.4	SERVICE SCHEDULE	41
8.	FAULTFINDING	41
9.	LIST OF SPARE PARTS	42
10.	ENVIRONMENTAL PROTECTION	42
11.	COMPLAINT	42

1. Symbols used in this manual

Warning Symbol Indication of potentially hazardous situation. If not avoided, it can result in serious injury or death.	
Caution Symbol Indication of potentially hazardous situation which may result in minor or moderate injury. It may also be used to alert against unsafe practices.	
Notification Symbol This symbol is used to notify correct use and handling of the product.	

2. General safety

	<p>This manual must be read and understood before use. Always keep this manual in close proximity of the product.</p> <p>The use, installation and service of this product must be in compliance with this manual to avoid accidents and serious personal injury.</p> <p>Never use or handle this product in other ways specified in this manual as it can result in personal safety hazards and/or cause damage to the product.</p> <p>Persons installing and/or using this product either as operator or user should have the necessary safety information and access to this manual.</p> <p>If the supply cord is damaged, it must be replaced by the manufacturer, its service agent or similarly qualified designated persons in order to avoid a hazard.</p>
--	--



Do not perform repairs, disassembly or assembly operations, add-ons, re-adjustments or modification of the product beyond what is described in this manual. These must be carried out by Ropox or Ropox authorized personnel. Do not perform service while in use.

This appliance can be used by children aged from 8 years and above and persons with reduced physical, sensory or mental capabilities or lack of experience and knowledge if they have been given supervision or instruction concerning use of the appliance in a safe way and understand the hazards involved. Children shall not play with the appliance. Cleaning and user maintenance shall not be made by children without supervision.

Do not use the product if it has defects or have become damaged before being repaired or replaced.
If the control box makes unusual noise or smells, switch off the mains voltage immediately.

Take care that the cables are not damaged.

Unplug the mains cable on mobile equipment before it is moved.

The products must only be used in an environment that corresponds to their IP protection.



The information in this manual is based on correct installation in accordance with installation instructions for this product.

Ropox cannot be held liable if the product is used in any way that differs from stated in this manual and/or installation instruction.

Ropox reserve the right to amend this manual and reference documents without prior notice.

2.1 Product Unit label



	This product is UKCA-marked in accordance with: UK SI 2002 No. 618 - <i>The Medical Devices Regulations 2002</i> , and its amendments
	This product is CE-marked in accordance with: European Medical Device Regulation (EU)2017/745 Council Directive 2011/65/EU, RoHS
	Manufacturer name and address
	Date of production
	Stock number
	Serial number
	Consult manual for important safety related information, warnings and safety precautions.
	Do not dispose as unsorted municipal waste. Product must be returned to a designated recycling station.
	Operating and storing temperatures may not exceed 5-40C°
	Consult the instructions for use

3. General requirements

3.1 Product information

Manufacturer	Ropox A/S Ringstedgade 221 DK-4700 Naestved +45 55 75 05 00 Info@ropox.com	UK Responsible Person	Qserve Group UK, Ltd 49 Greek Street, W1D 4EG London United Kingdom +44 740 885 936 3 info@qservegroup.com
Product models	Part number	Model	Configuration
	40-44000	Support Washbasin complete	Fixed L
	40-44001	Support Washbasin complete	Fixed R
	40-44002	Support Washbasin complete	Basic L
	40-44003	Support Washbasin complete	Basic R
	40-44004 40-44005	Support Washbasin complete Support Washbasin complete	Manual L Manual R
Expected service life	5 years		
MDR Class 2017/745	Class I		
Intended environments	This product is to be used only in: Professional Healthcare Environment Homecare Environment		
Height adjustment	Basic = 71-101cm Manual = 71-101cm		
Maximum user weight according to DS/EN ISO 17966:2016	400 kg / 881 lbs		
Ambient temperature range	-10 °C to +50 °C Transport and storage +5 °C to +40 °C Operation		
Relative humidity	20% to 80% - non-condensing		
Materials in contact with patient	Wash basin	Synthetic/marble composite	
	Cover	Vacuum-shaped ABS	
	Frame	Welded steel pipes St. 37, aluminum	
	Mixer tap	Chrome	
Accessories	Plug with overflow	40-40935	

3.2 Product description

The Ropox Support Washbasin is a disability-friendly and stable washbasin, which is adjustable in height, based on the needs of the individual. The washbasin is specifically designed for use by people with difficulty walking. It has integrated grab rails, to prevent fall injury.

3.3 Intended use

The support washbasin is especially suitable for walking-impaired because you can use the integrated, ergonomic grab rails as support and as help when getting up or sitting down. The washbasin is available with fixed height and with height adjustment. It is possible to choose between manual or electrical height adjustment. This makes it able to suit the individual user who will be using the washbasin.

3.4 Intended operator

Reading and understanding this manual will be sufficient training for an intended operator. Children under the age of 16 or patients are not considered intended operator.

3.5 Essential performance

The product does not have essential performance, as the patient and user do not experience any risk in case of loss of product function/performance.

3.6 Nonclinical functions

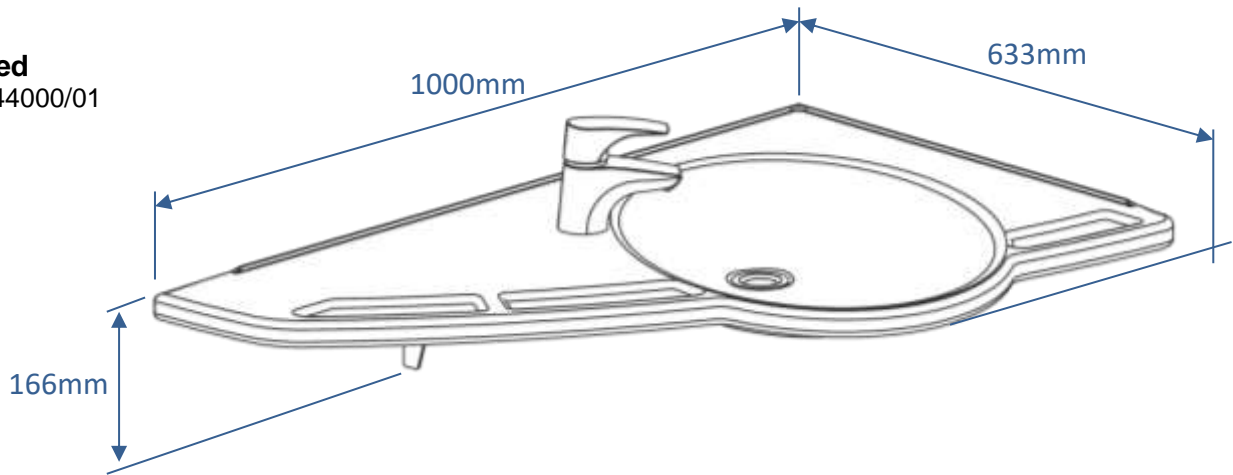
Height adjusting offers better ergonomics to the user.

3.7 Clinical functions

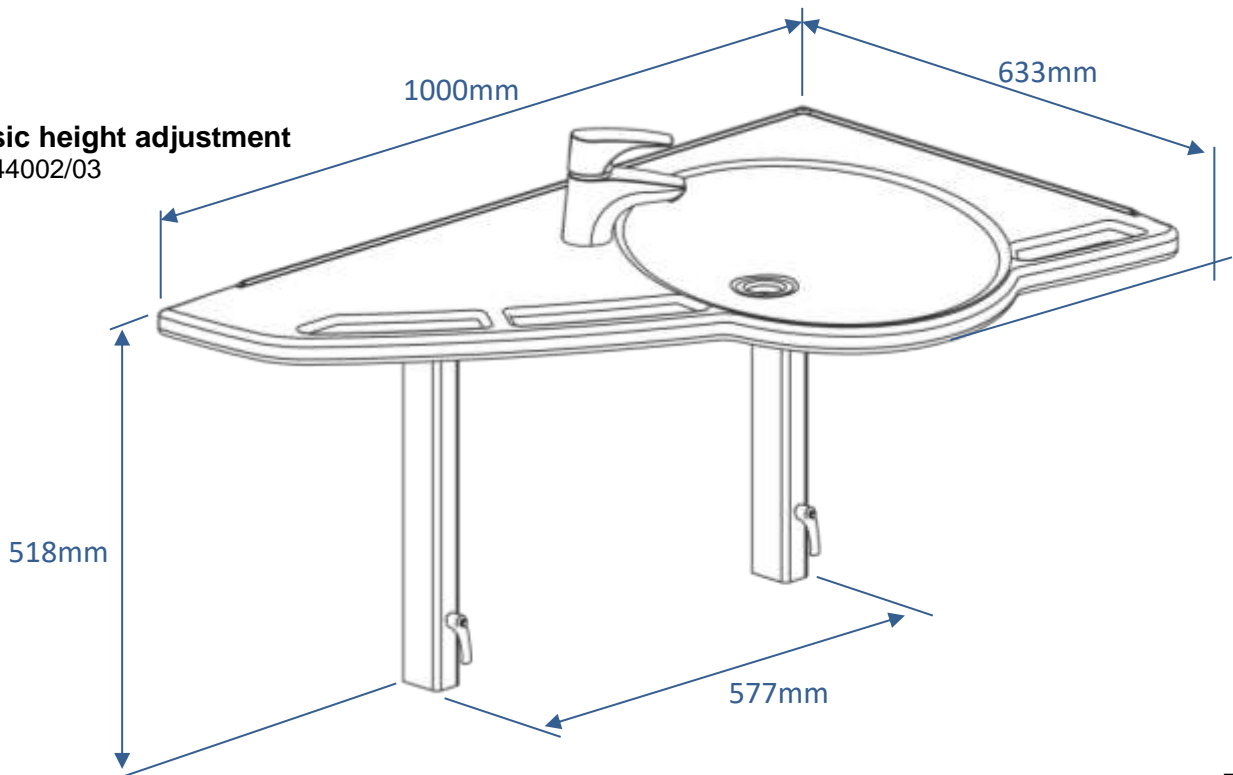
The product does not have any clinical functions.

3.8 Product dimensions

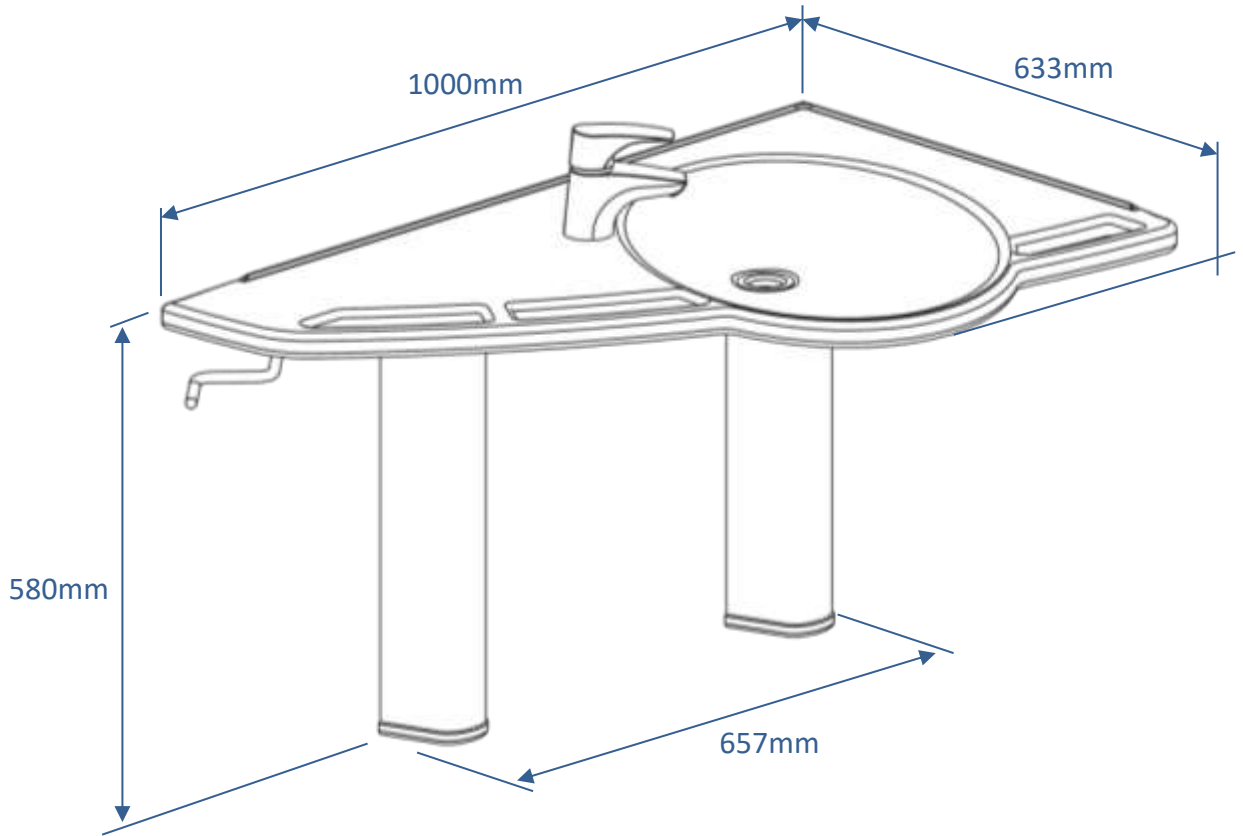
Fixed
40-44000/01



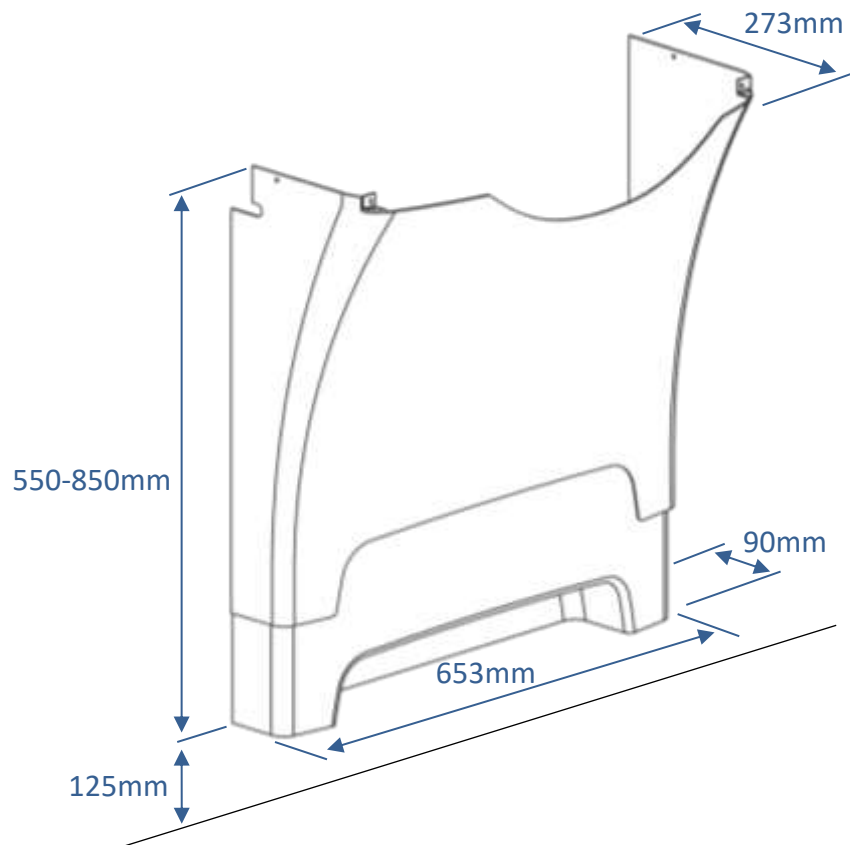
Basic height adjustment
40-44002/03



Manual height adjustment
40-44004/05



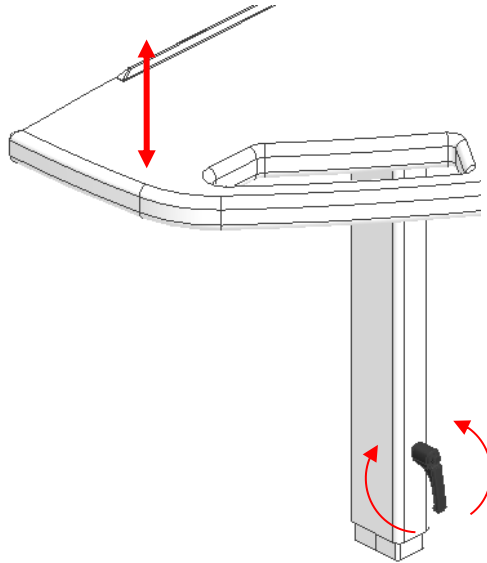
Covers
40-44021/22



3.9 Operation

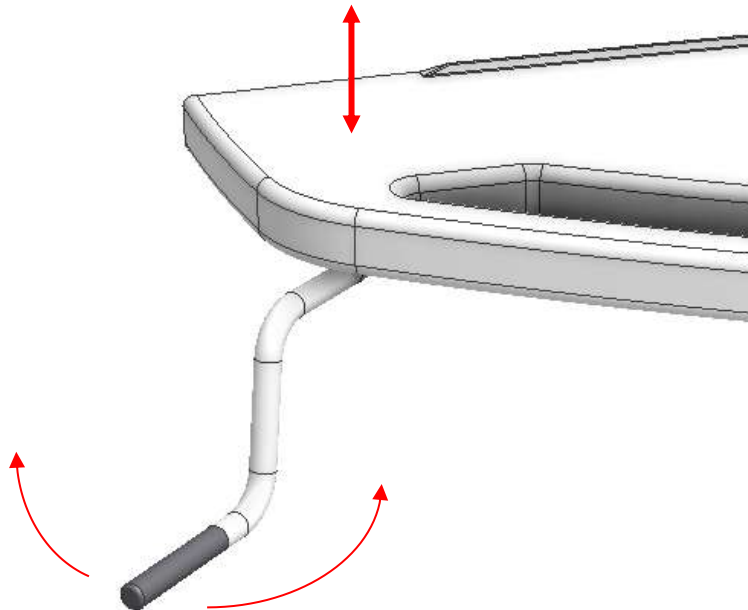
Basic height adjustment (applying to 40-44002/03)

The height of the washbasin may be adjusted by loosening the two handles. Note that the washbasin must be supported while loosening the handles in order to prevent it from falling to the bottom position. Covers, if any, must be removed before adjustment of these models.



Manual height adjustment (applying to 40-44004/05)

The height of the washbasin may be easily adjusted by means of the detachable hand crank.



Warning!

The product should always be able to travel the full range of actuation without colliding with objects. Failing to do so will compromise the product stability and introduce risk of squeezing body parts. Special care should be taken in ensuring that no children or adults are sited under the product as severe injury from entrapment may occur.

4. Mounting instructions

4.1 Installation interfaces

Fixed

(40-44000 and 40-44001)

Construction

The wall must be made of a material suited for screw mounting and approved for damp rooms. The hatched area is the minimum area for reinforcement of the wall. Reinforcement from floor to ceiling is advisable.

Load-tested in accordance with DS/ISO 17966, the maximum user weight has been fixed at 400kg (881 lbs).

Max. tensile load of upper screws

150kg/screw (330 lbs)

The washbasin is supplied with a set of 6 screws and rawplugs suitable for mounting on a concrete wall. The fitter should always consider the material, condition and strength of the wall and use screws and rawplugs suitable for the specific wall type.

Plumbing

The drain is Ø32 (1 ¼") and ends in an Ø32x88.5° drain elbow.

The maximum protrusion of drain connection and elbow from the wall is 90mm (3 ½") to allow for the covers.

The water supply ends in 2 (two) 90° shut-off valves with ½" outside thread pointing downward (not included).

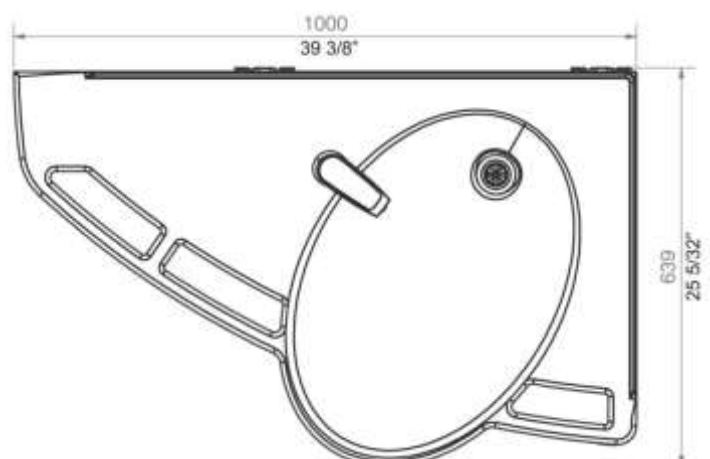
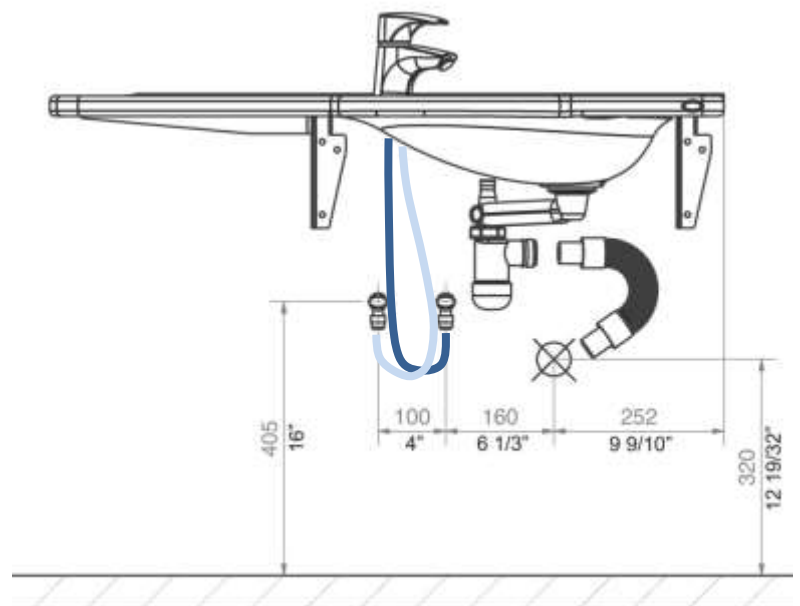
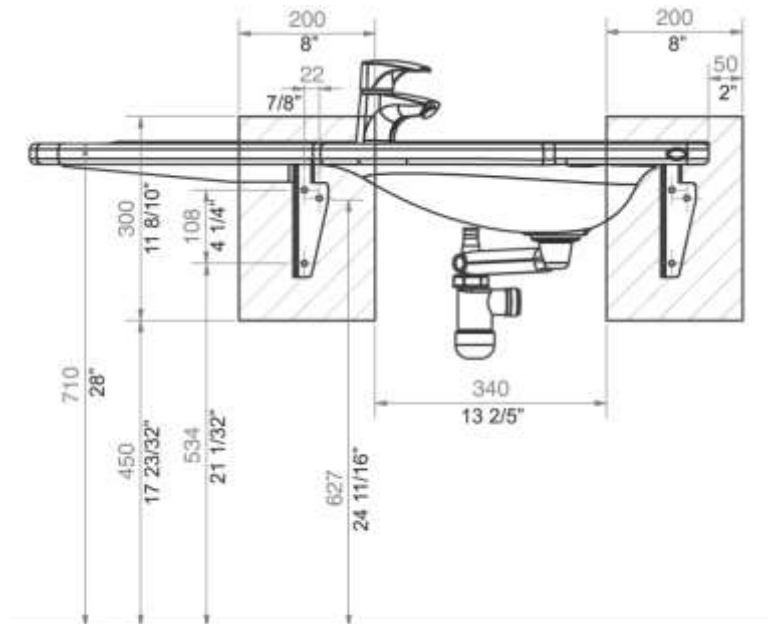
The maximum protrusion of the shut-off valves from the wall is 90mm (3 ½") to allow for the covers.

If a location of the water supply and drain different from the recommended positioning is required or if there is a floor drain, the Support Washbasin will have no covers. For purchase of adapters for connection to various standard installations, see "Connection Adapters – Other Washbasins".

Note

All dimensions are based on a washbasin height of 710mm (28") above floor level. If a change of this height is required, the recommended dimensions must be changed accordingly.

The illustrations show the left-hand model 40-44000.



Basic

(40-44002 and 40-44003)

Construction

The wall must be made of a material suited for screw mounting and approved for damp rooms.

The hatched area is the minimum area for reinforcement of the wall.

Reinforcement from floor to ceiling is advisable.

Load-tested in Accordance to DS/ISO 17966, the maximum user weight has been fixed at 400kg (881 lbs).

Max. tensile load of upper screws

85kg/screw (187 lbs)

The washbasin is supplied with a set of 6 screws and rawlplugs suitable for mounting on a concrete wall. The fitter should always consider the material, condition and strength of the wall and use screws and rawlplugs suitable for the specific wall type.

Plumbing

The drain is $\text{Ø}32$ (1 1/4") and ends in an $\text{Ø}32 \times 88.5^\circ$ drain elbow.

The maximum protrusion of drain connection and elbow from the wall is 90mm (3 1/2") to allow for the covers.

The water supply ends in 2 (two) 90° shut-off valves with 1/2" outside thread pointing downward (not included).

The maximum protrusion of the shut-off valves from the wall is 90mm (3 1/2") to allow for the covers.

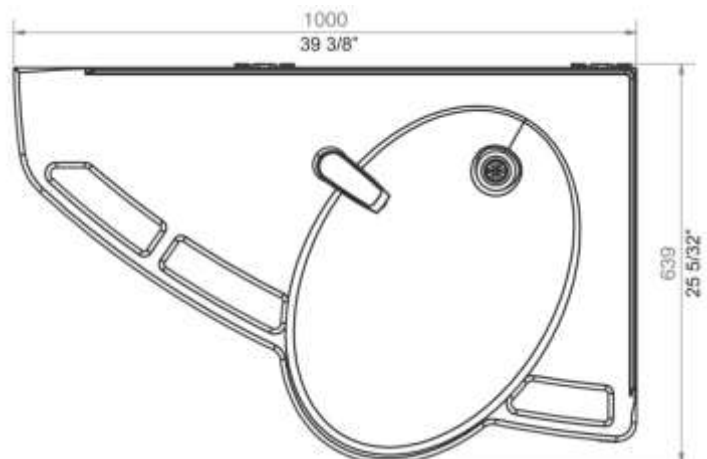
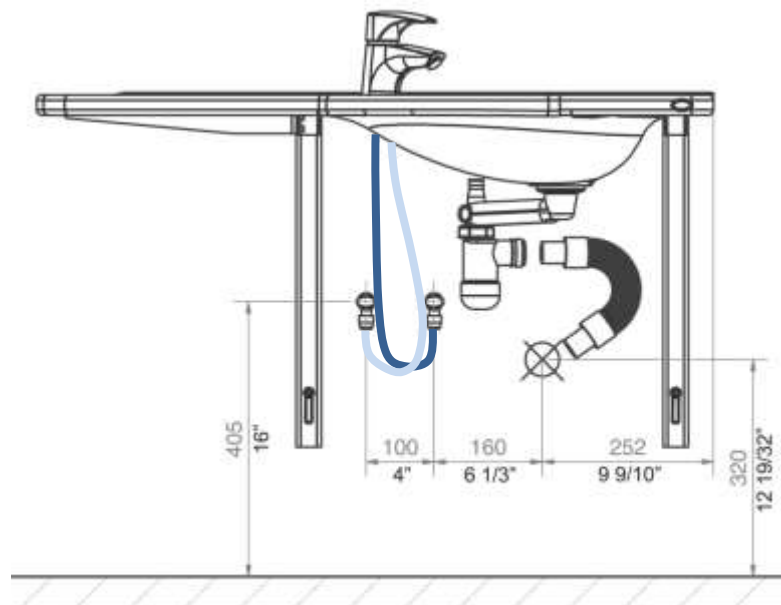
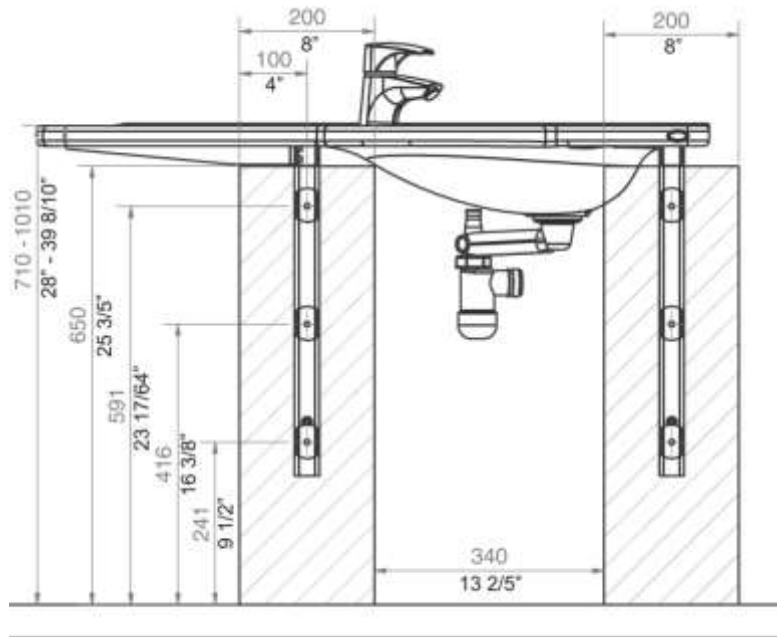
It is important that all hoses for water connection and drain are flexible to allow the frame to move freely within the height adjustment range of 710-1010mm (28" – 39 8/10") (including washbasin).

If a location of water supply and drain different from the recommended positioning is required or if there is a floor drain, the Support Washbasin will have no covers.

For purchase of adapters for connection to various standard installations, see "Connection Adapters – Other Washbasins".

Note

The illustrations show the left-hand model 40-44002



Manual
(40-44004 and 40-44005)

Construction

The wall must be made of a material suited for screw mounting and approved for damp rooms.

The hatched area is the minimum area for reinforcement of the wall.

Reinforcement from floor to ceiling is advisable.

Load-tested in Accordance to DS/ISO 17966, the maximum user weight has been fixed at 400kg (881 lbs).

Max tensile load of upper screws

71kg/screw (157 lbs)

The washbasin is supplied with a set of 8 screws and rawplugs suitable for mounting on a concrete wall. The fitter should always consider the material, condition and strength of the wall and use screws and rawplugs suitable for the specific wall type.

Plumbing

The drain is Ø32 (1 ¼") and ends in an Ø32x88.5° drain elbow.

The maximum protrusion of drain connection of elbow from the wall is 90mm (3 ½") to allow for the covers.

The water supply ends in 2 (two) 90° shut-off valves pointing downward (not included). The maximum protrusion of the shut-off valves from the wall is 90mm (3 ½") to allow for the covers

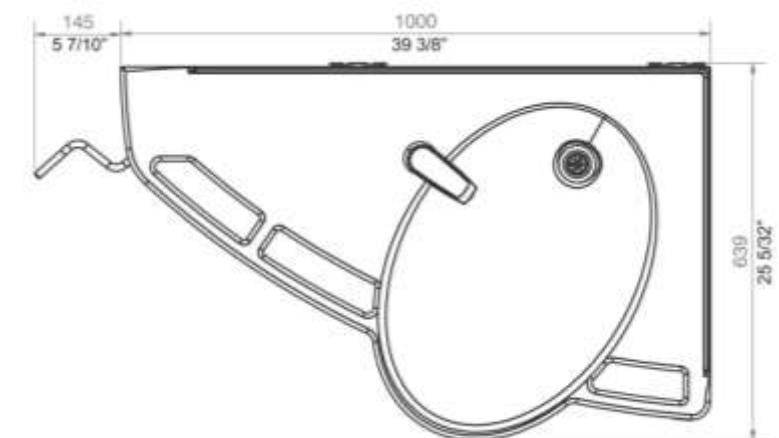
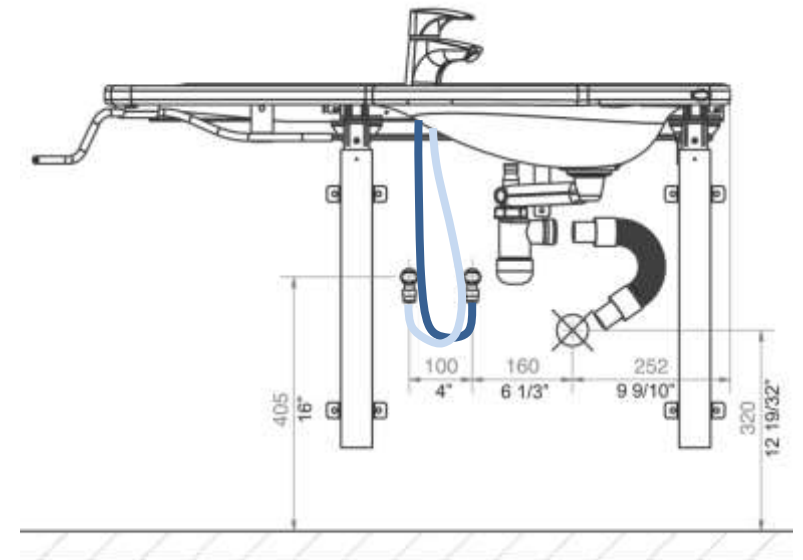
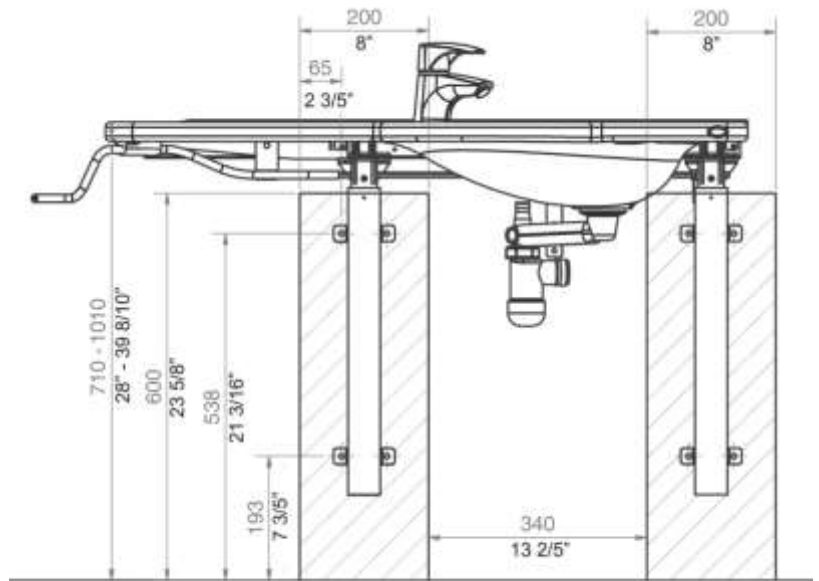
It is important that all hoses for water connection and drain are flexible to allow the frame to move freely within the height adjustment range of 710-1010mm (28" – 39 8/10") (including washbasin).

If a location of water supply and drain different from the recommended positioning is required and if there is a floor drain, the Support Washbasin will have no covers.

For purchase of adapters for connection to various standard installations, see "Connection Adapters – Other Washbasins".

Note





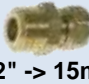

The illustrations show the left-hand model 40-44004







4.2 Connection adapters

The highlighted components can be bought separately depending on the type of building installation requirements.







Water supply

Hoses from basin	Adapters	Installation in room (not included)
 1/2"	No adapter necessary	 1/2" Thread
	 1/2" -> 3/8" Item no. 97001670	 3/8" Thread
	 1/2" -> 15mm Item no. 97001666	 15mm Pipe





Water hose extensions

Hose from basin	Coupling piece	Extra hose
	 1/2" -> 1/2" Item no. 97001662	 1/2" x 1/2", 0,5m, steel Item no. 97001123
		 1/2" x 1/2", 1m, plastic Item no. 97001120

Drain

Drainpipe from basin	Adapters	Installation in room (not included)
 Ø32	No adapter necessary	 Ø32
	 Ø32 -> Ø40 Item no. 97001660	 Ø40
	 Ø32 -> Ø50 Item no. 97001661	 Ø50

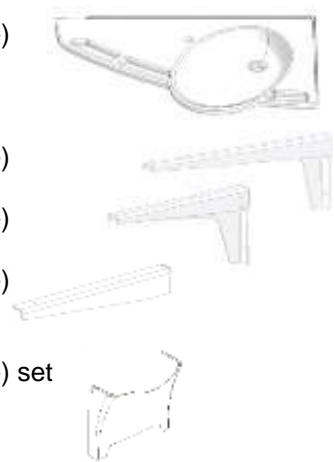
Drainpipe extensions

Drainpipe from basin	Coupling piece	Extra drainpipe
 Ø32	 Ø32-Ø32 Item no. 97001662	 Ø32 Flex hose, 27-62cm Item no. 97001162
		 Ø32 Flex hose, 40-110cm Item no. 97001161

4.3 List of components

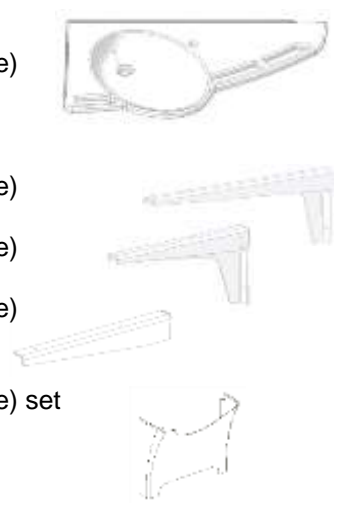
Ropox Support Washbasin, Fixed, left, 40-44000:

40*44010-064:	Top plate with washbasin, left-oriented	1 (one)
Provided with:		
40*44010-063:	Fixed wall bracket, long	1 (one)
40*44010-062:	Fixed wall bracket, short	1 (one)
40*44010-048:	Frame Basic side bracket	1 (one)
40-44021:	Cover	1 (one) set



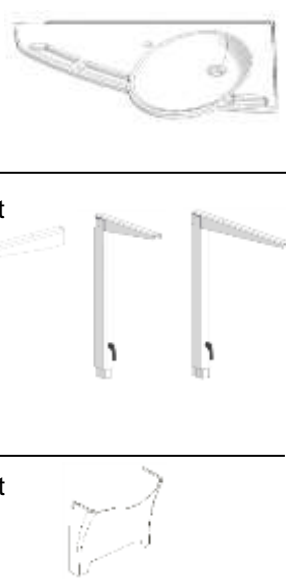
Ropox Support Washbasin, Fixed, right, 40-44001:

40*44010-070:	Top plate with washbasin, right-oriented	1 (one)
Provided with:		
40*44010-063:	Fixed wall bracket, long	1 (one)
40*44010-062:	Fixed wall bracket, short	1 (one)
40*44010-048:	Frame Basic side bracket	1 (one)
40-44022:	Cover	1 (one) set



Ropox Support Washbasin, Basic height adjustment, left, 40-44002:

40*44010-064:	Top plate with washbasin, left-oriented	1 (one)
Basic height-adjustment brackets		
Incl.		1 (one) set
40*44010-025	Long bracket	
40*44010-026	Short bracket	
40*44010-020	Inside legs	
97800-022	Threaded plate	
97001631	Adjustable handles	
40*44010-048	Frame Basic side bracket	
40-44021:	Cover	1 (one) set



Ropox Support Washbasin, Basic height adjustment, right, 40-44003:

40*44010-070: Top plate with washbasin, right-oriented 1 (one)



Incl.
40*44010-025
40*44010-026
40*44010-020
97800-022
97001631
40*44010-048

Basic height-adjustment brackets

1 (one)

Long bracket
Short bracket
Inside legs
Threaded plate
Adjustable handles
Frame Basic side bracket



40-44022:

Cover

1 (one) set



Ropox Support Washbasin, Manual height adjustment, left, 40-44004:

40*44010-064: Top plate with washbasin, left oriented 1 (one)



Provided with:

Incl.
40*44010-042
40*44010-057

Top frame, left oriented

1 (one)

Frame Manual support, left
Hand crank assembly left



30-67600:
Incl.

Flexi legs, Manual
Cover
Distance blocks

2 (two) sets



40*44010-038:

Hexagonal shaft

1 (one)



20*60320-548:

Hand crank

1 (one)









40-44027:

Cover

1 (one) set









ROPox Support Washbasin, Manual height adjustment, right, 40-44015:

40*44010-070:	Top plate with washbasin, right-oriented	1 (one)	
Provided with:	Top frame, right-oriented	1 (one)	
Incl. 40*44010-077 40*44010-082	Frame Manual support, right Hand crank assembly, right		
30-67600:	Flexi legs, Manual Cover Distance blocks	2 (two) sets	
40*44010-038:	Hexagonal shaft	1 (one)	
20*60320-548:	Hand crank	1 (one)	
40-44028:	Cover	1 (one) set	

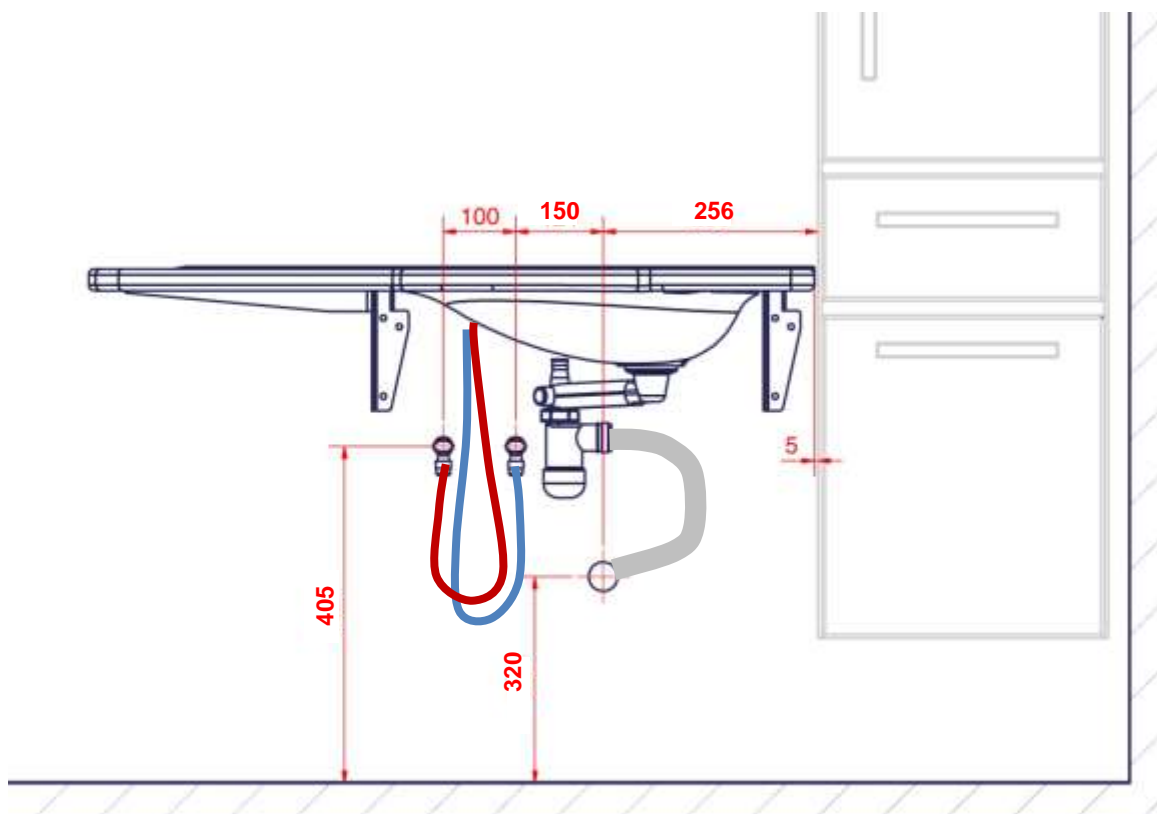
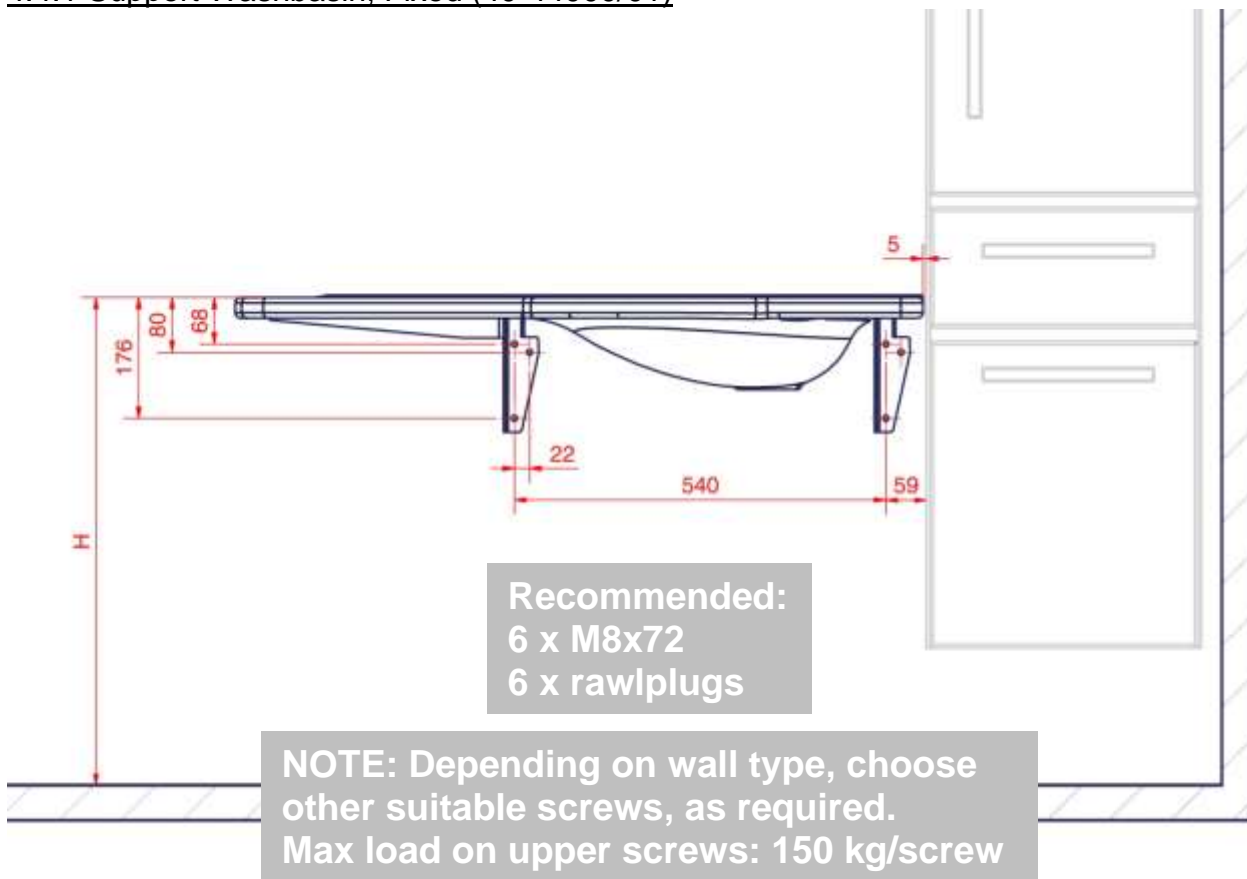
Common parts

40-44020 Water and drain kit

Incl. 97001601	Siphon	1 (one)	
97001162	Flexible drain hose ø32/32 pipe stub	1 (one)	
97001035	ø32x88.5° angle	1 (one)	
97001120	Connecting hose, 1/2" x 1/2", 100 cm:	2 (two)	
40*44010-098	Drain relief	1 (one)	
40-44040	Mixer tap, Oras Saga	1 (one)	

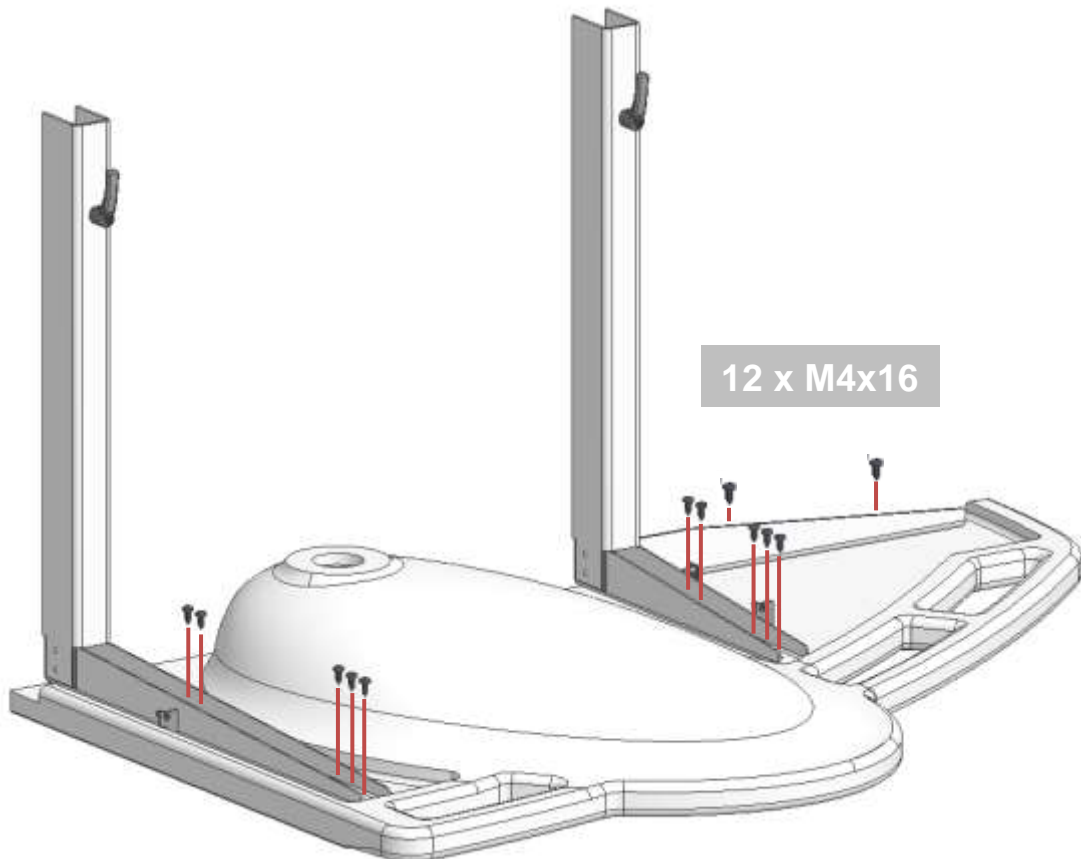
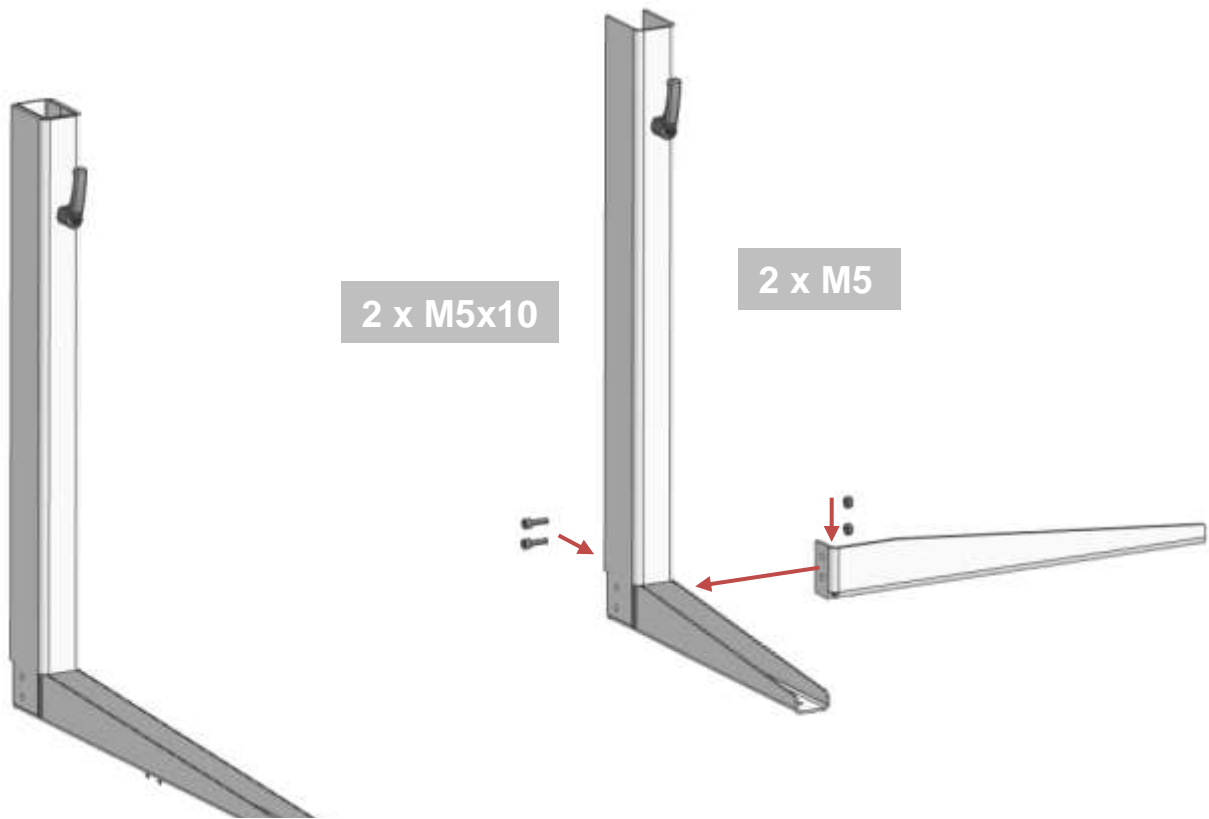
4.4 Installation of product

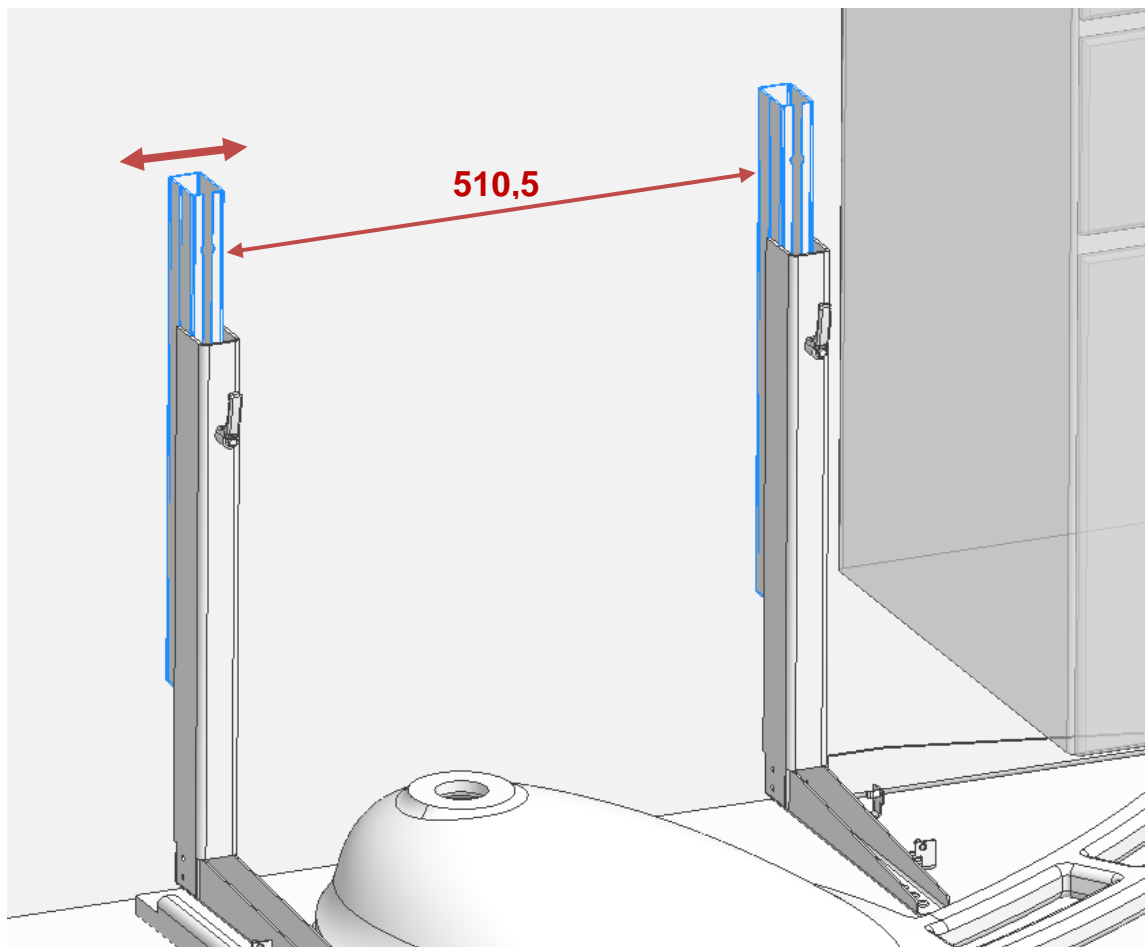
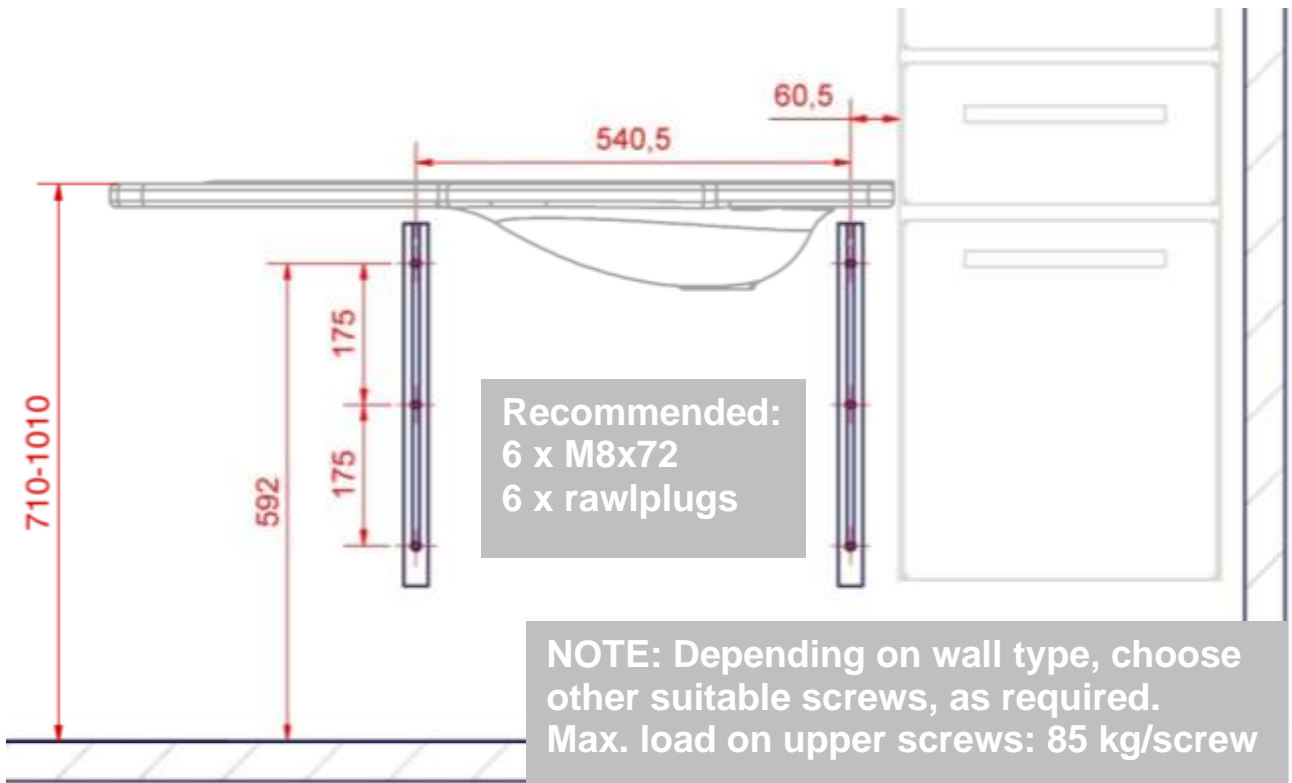
4.4.1 Support Washbasin, Fixed (40-44000/01)



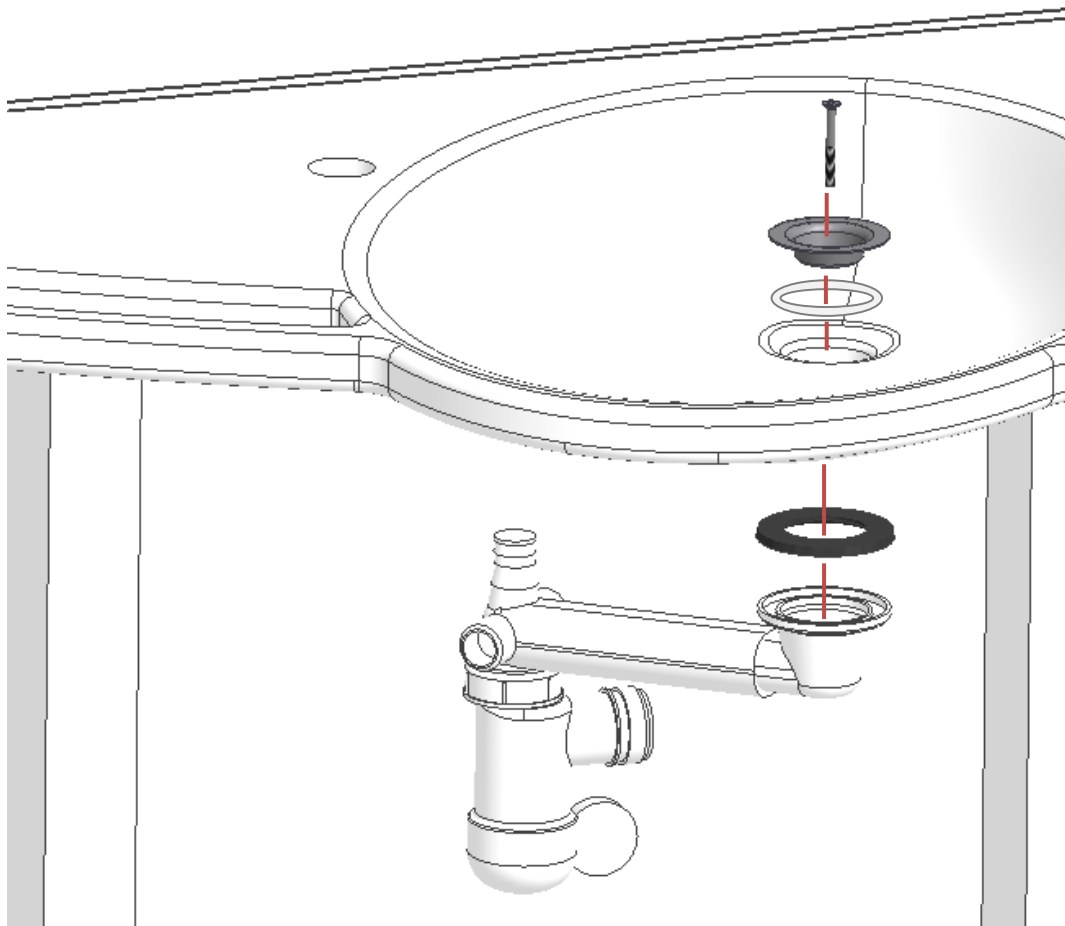
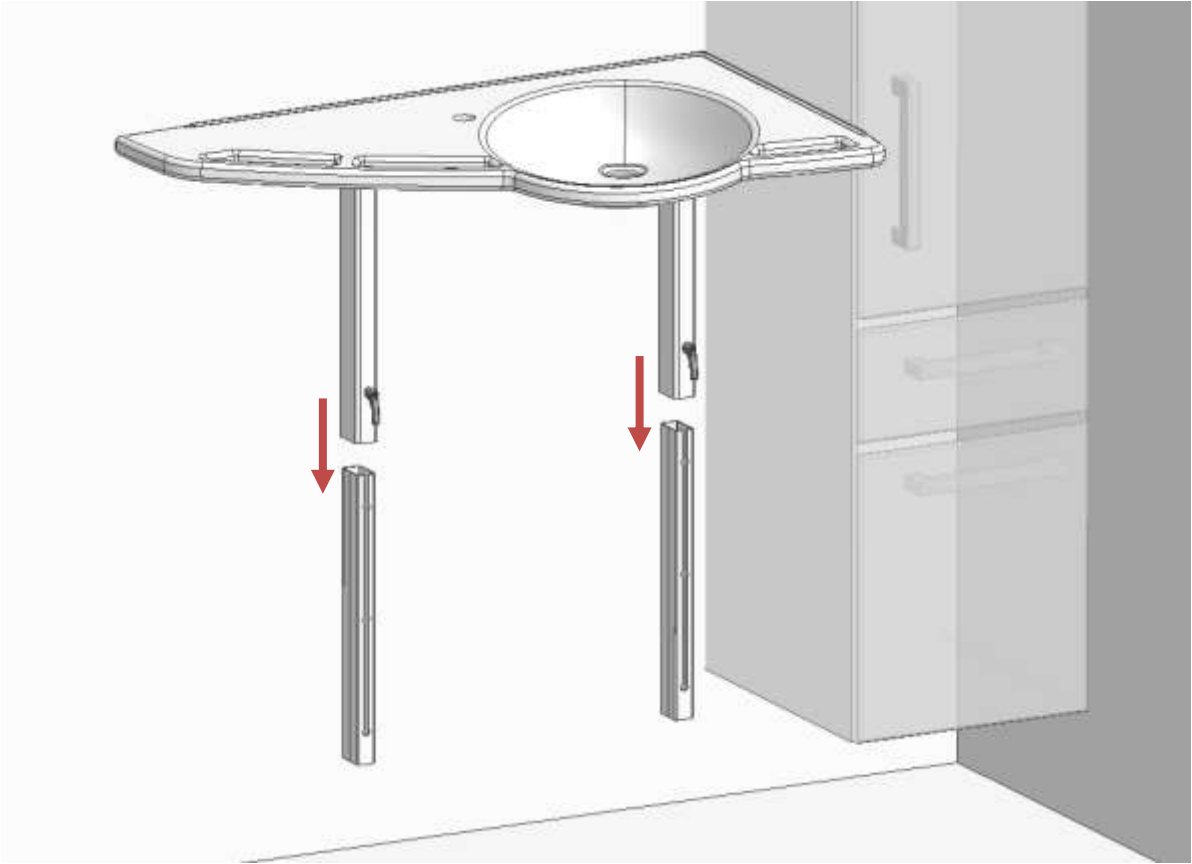
Mounting of covers: See 4.4.3

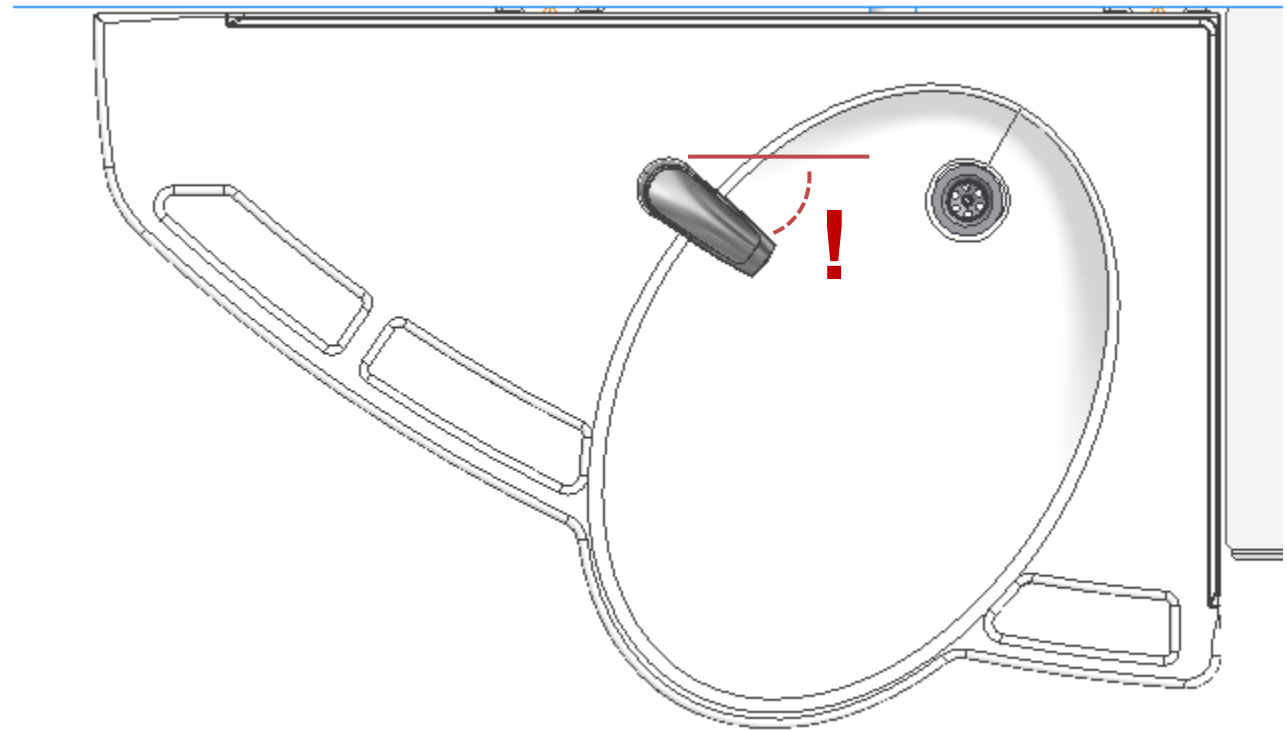
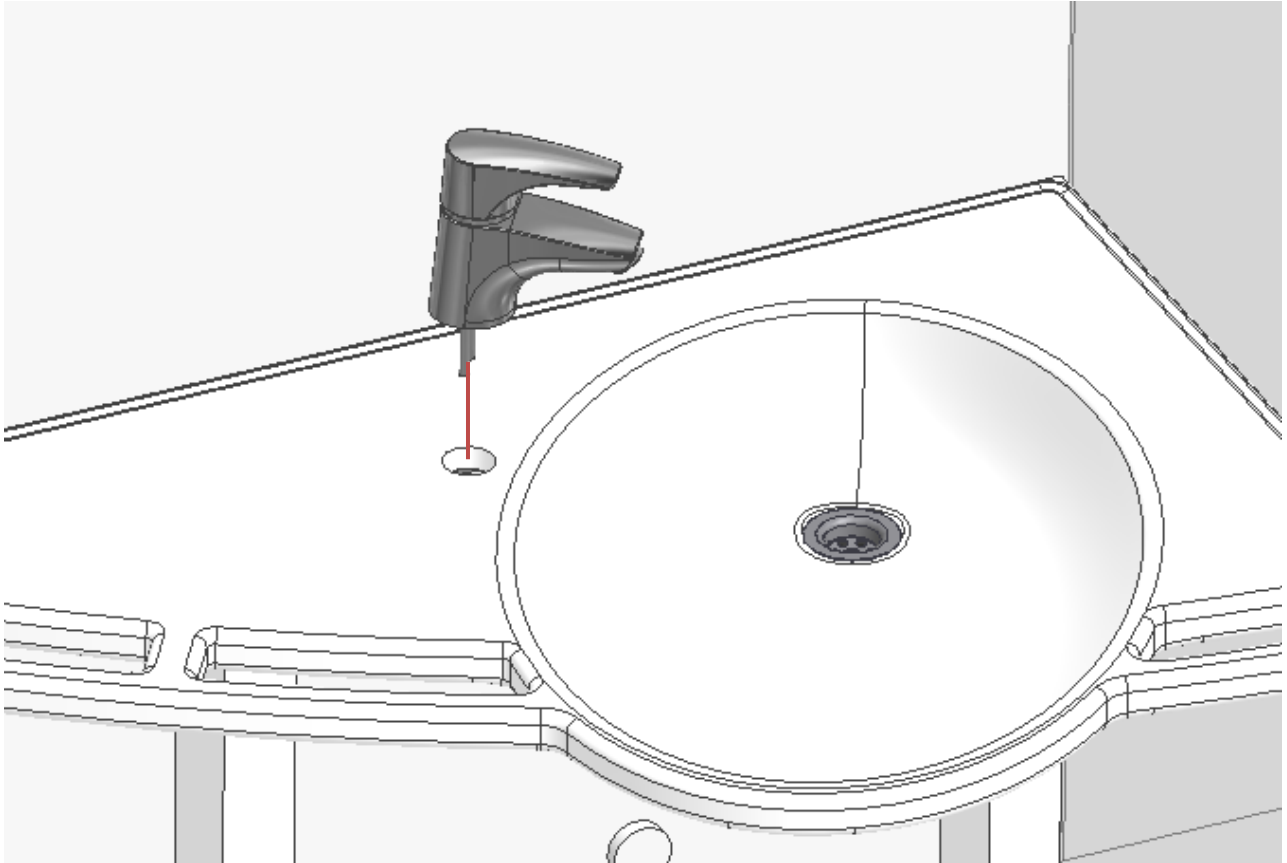
4.4.2 Support Washbasin with Basic frame (40-4002/03)

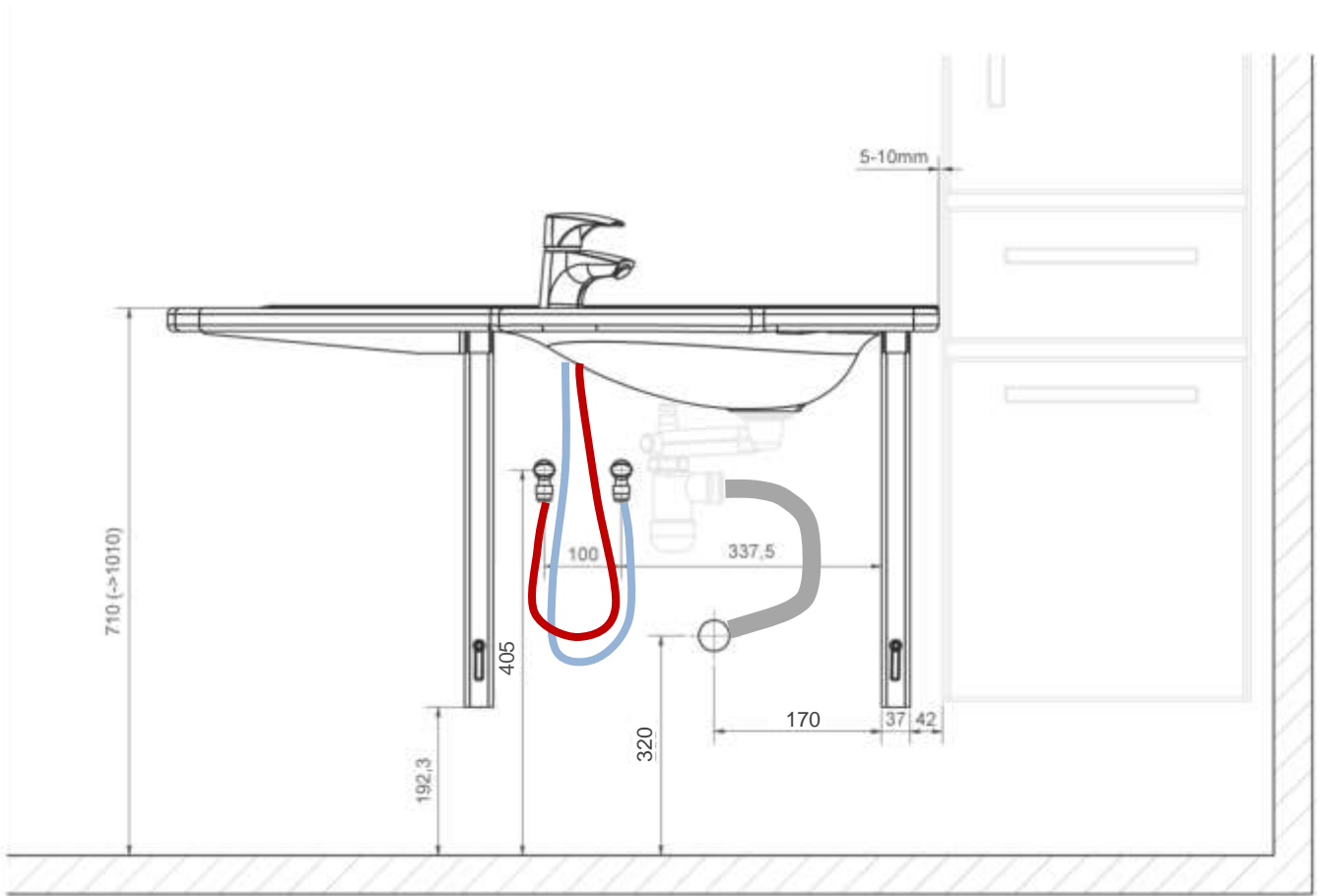




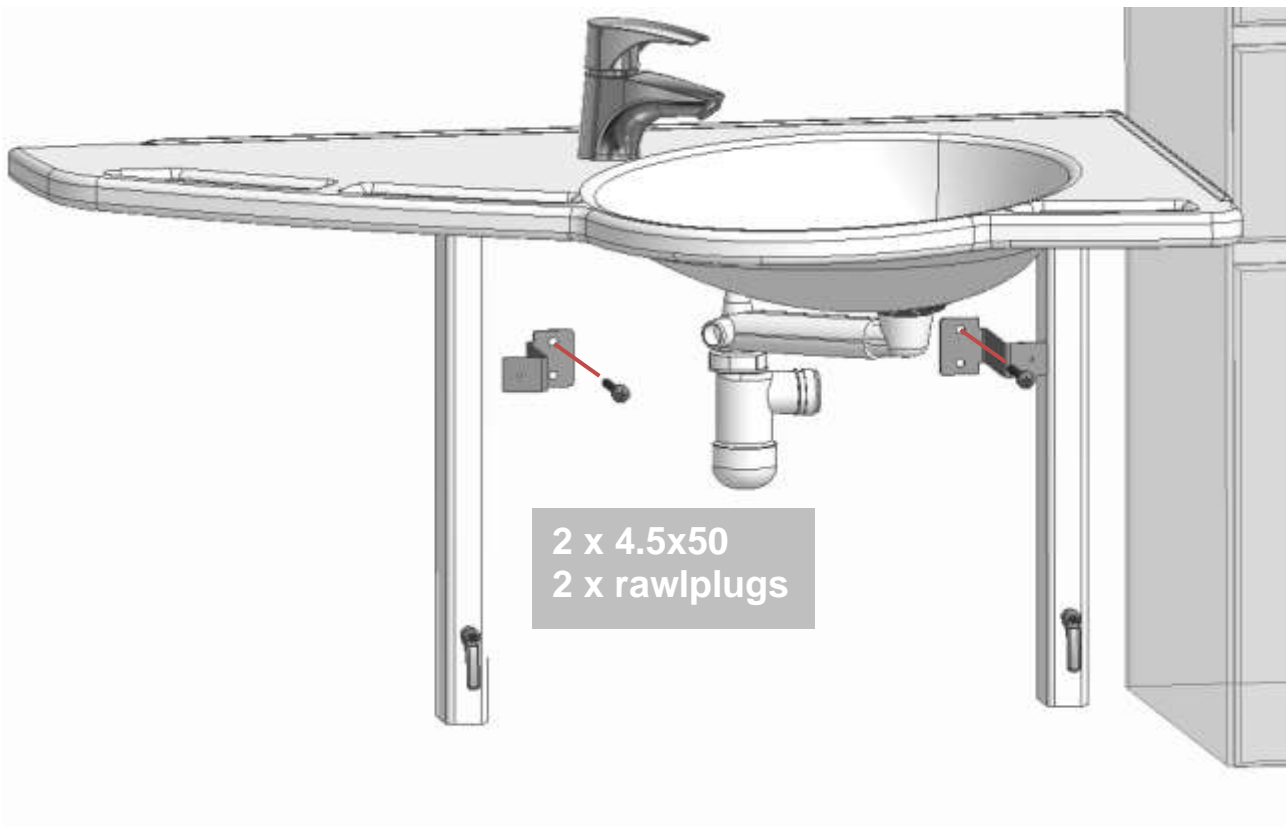
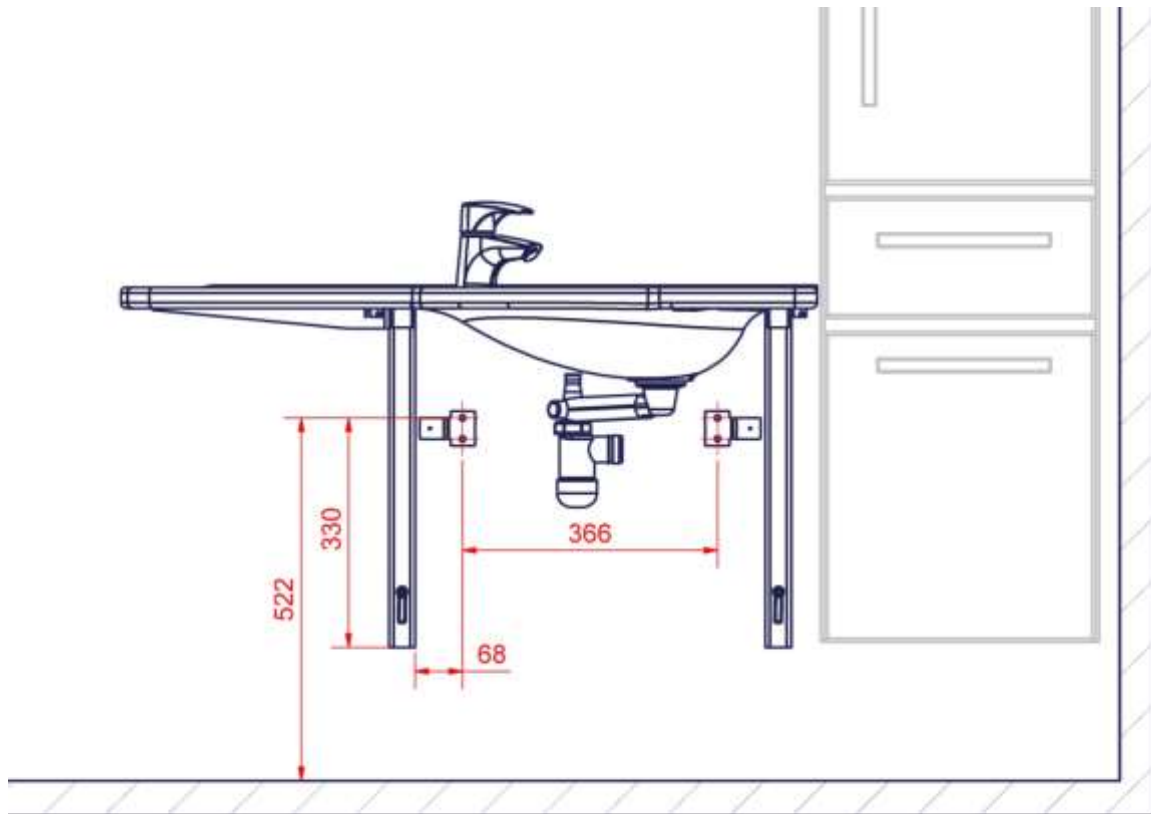
Fine adjustment of wall fitting – use legs on washbasin as a guide

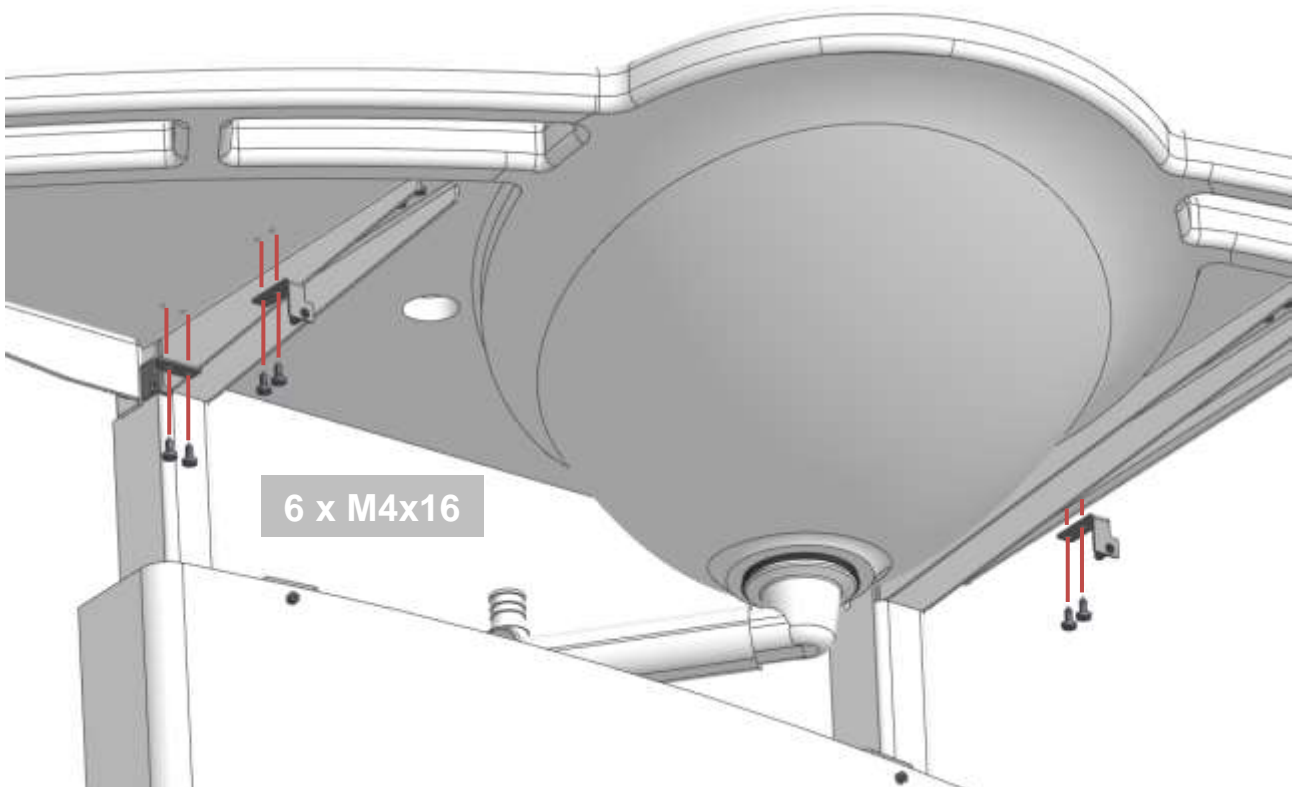
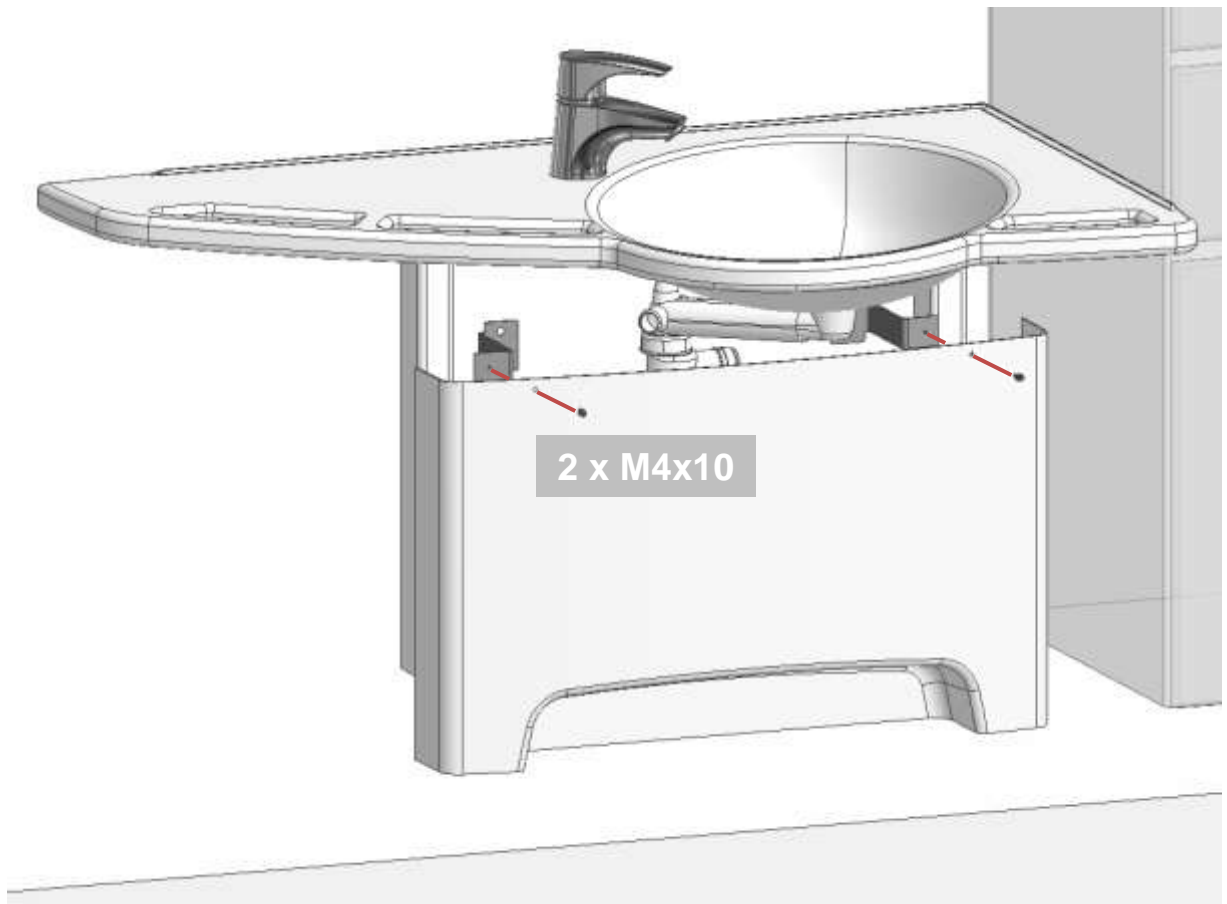


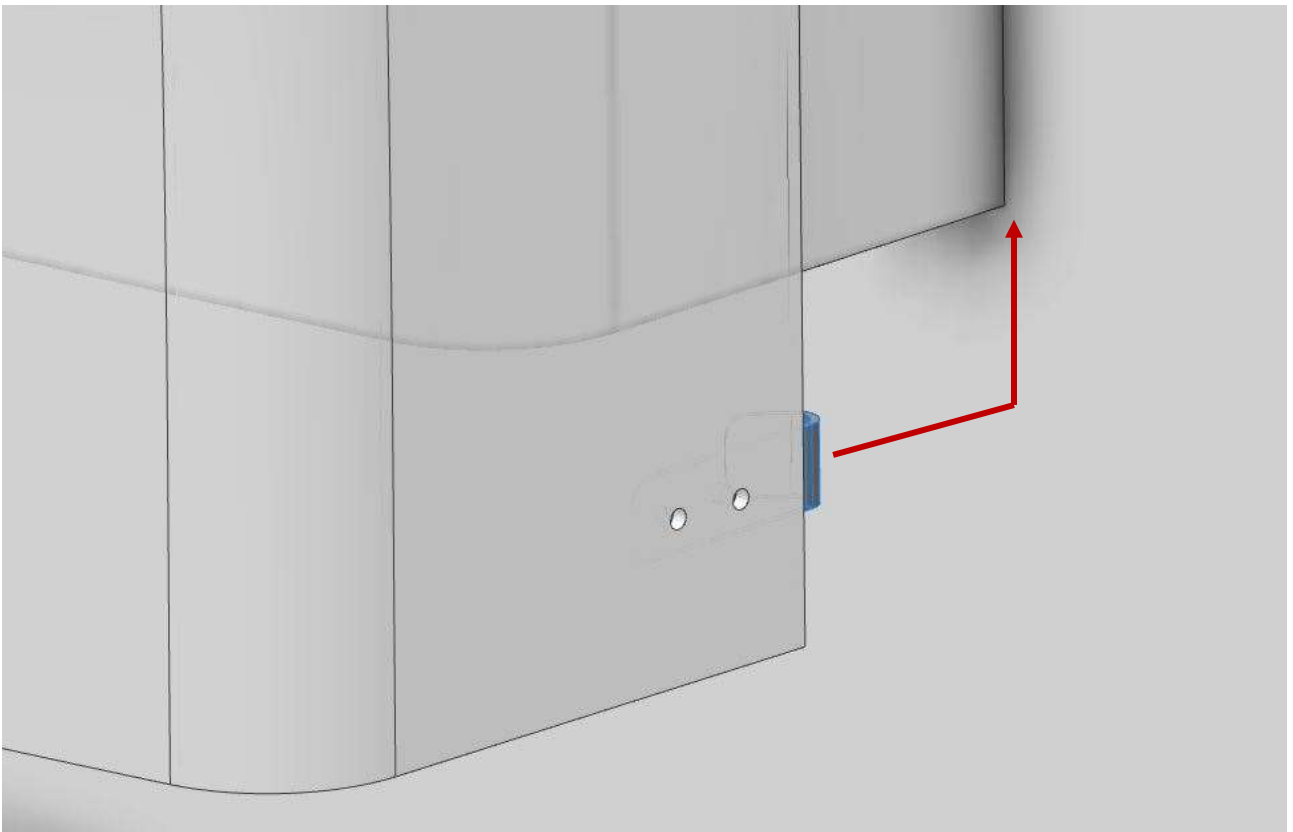
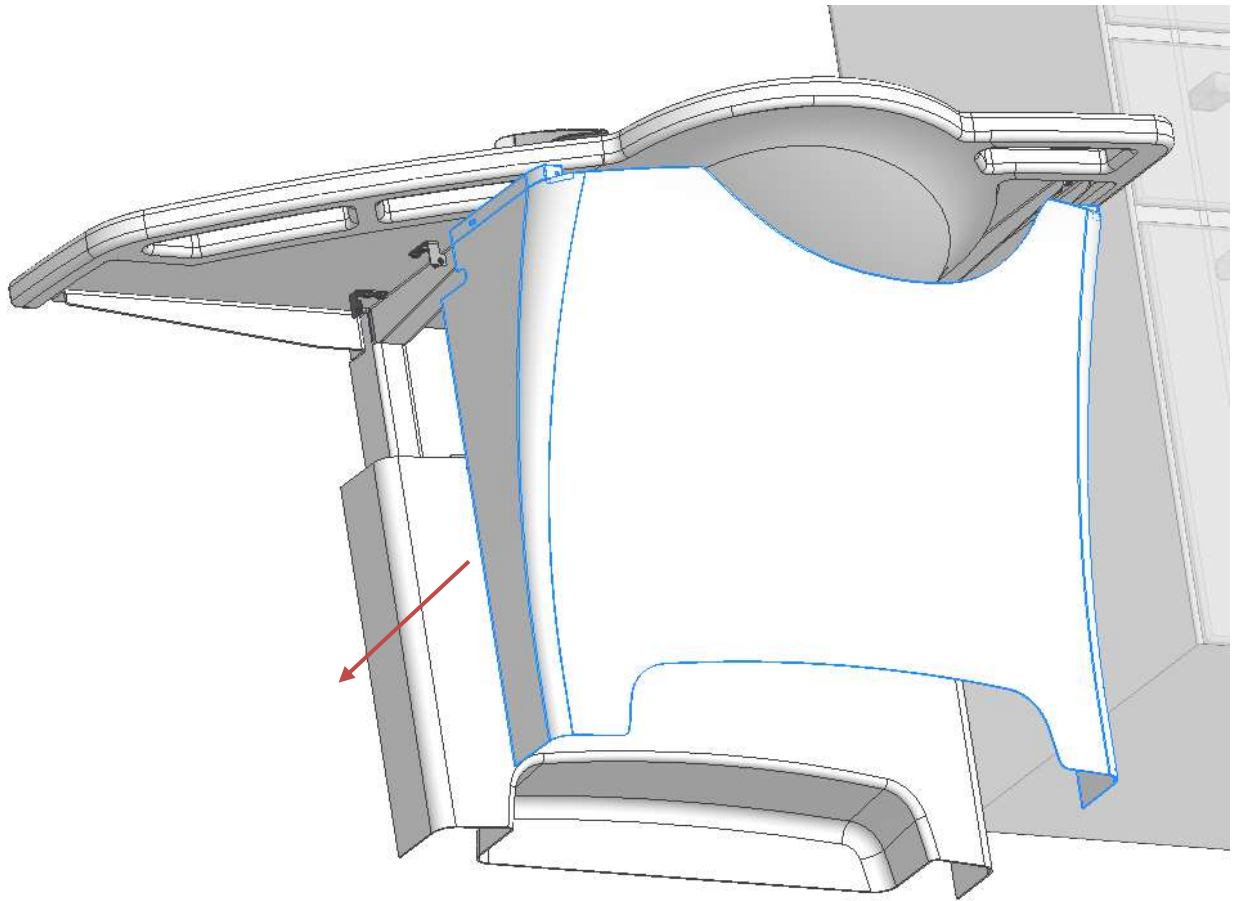


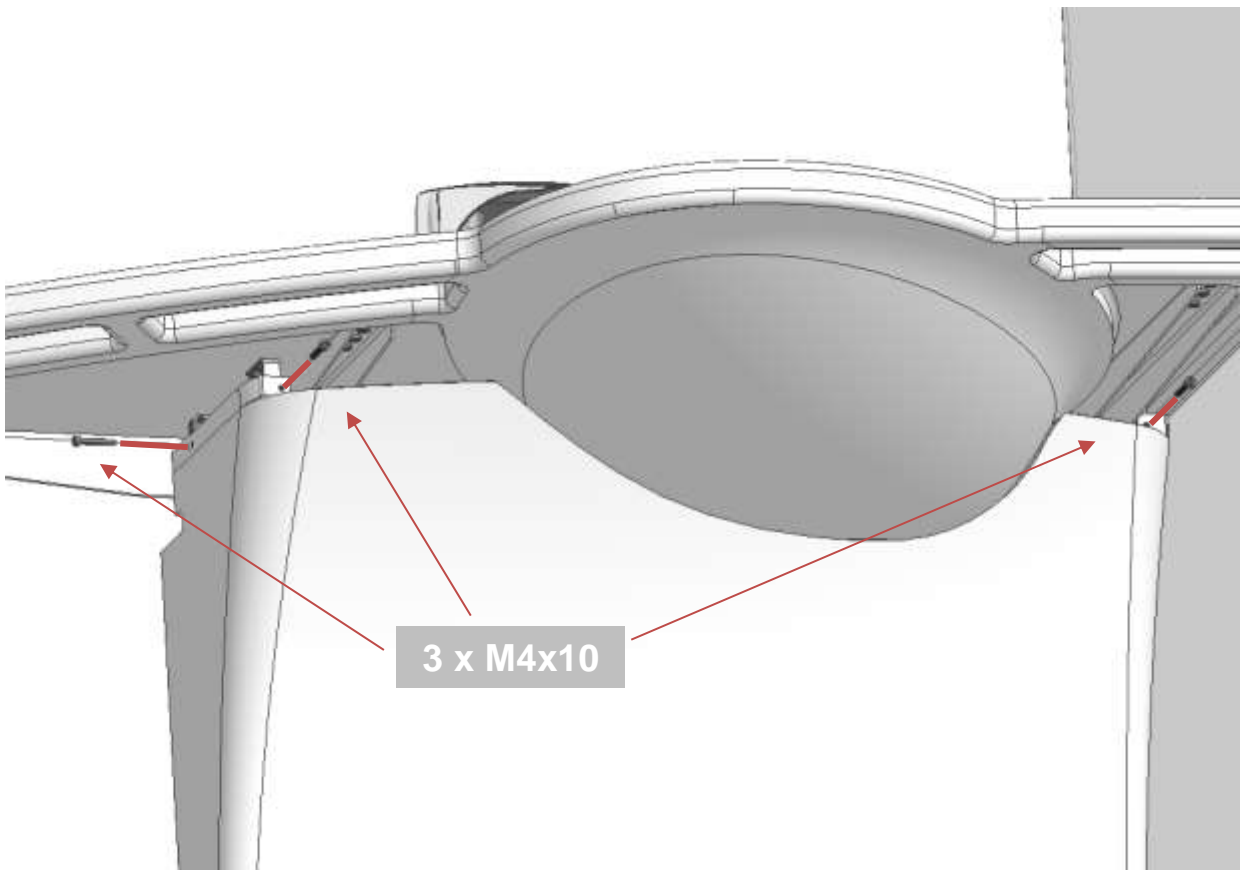


4.4.3 Mounting of covers for 40-44000/01 & 40-44002/03

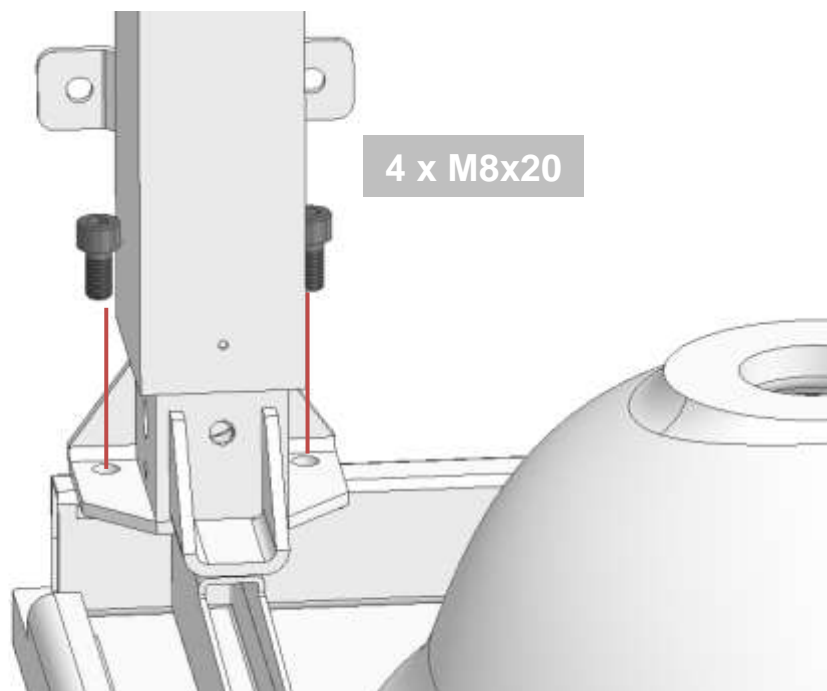
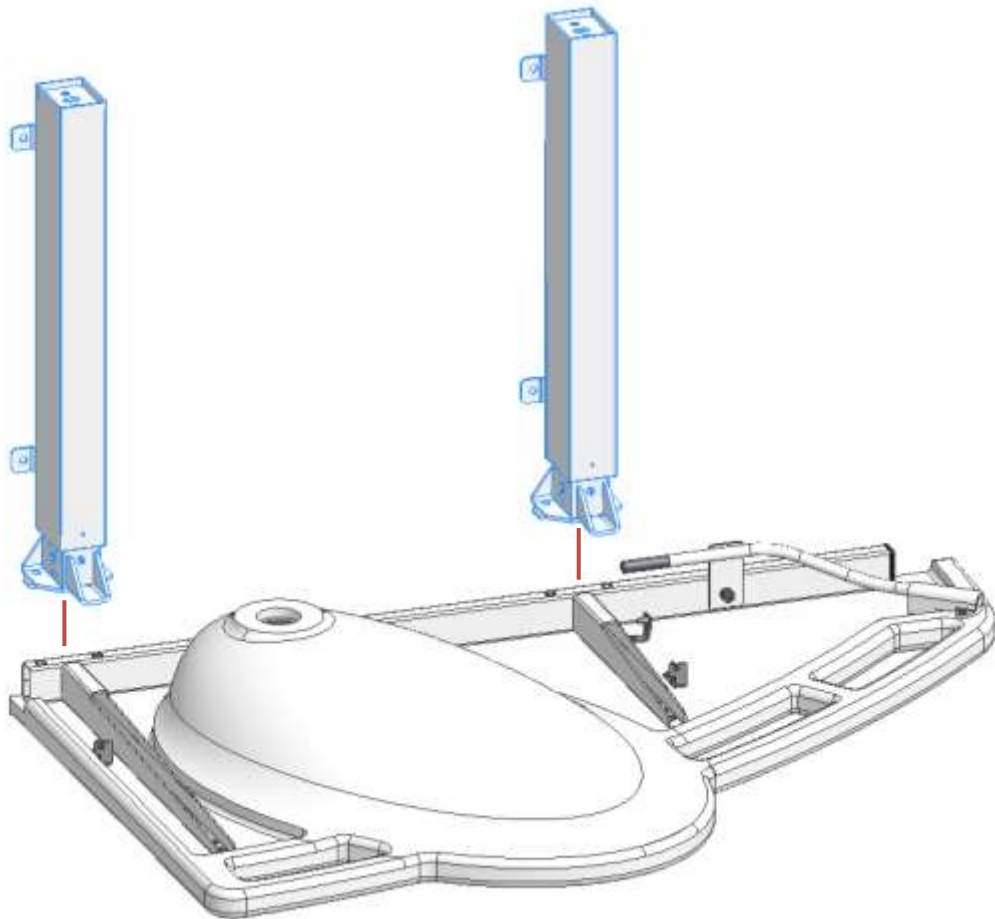


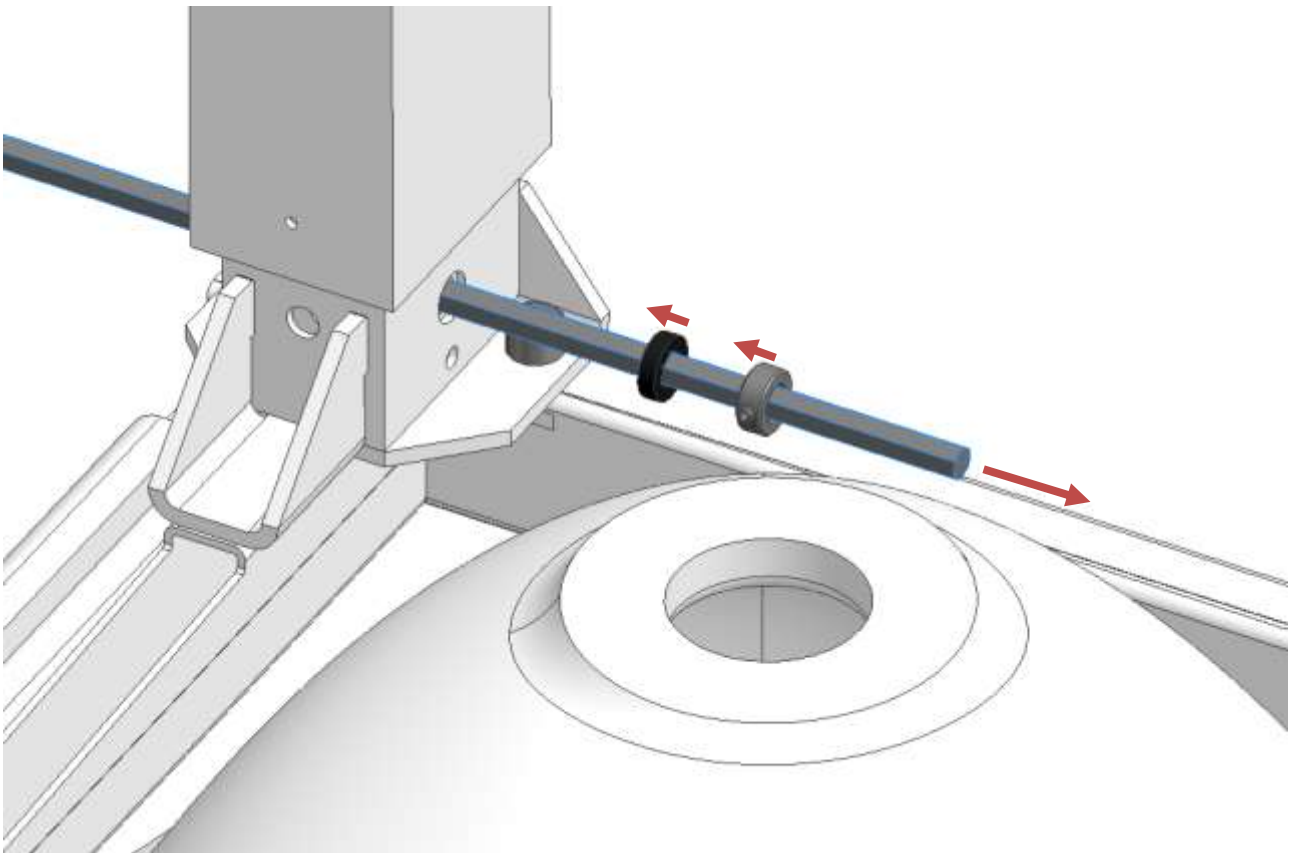
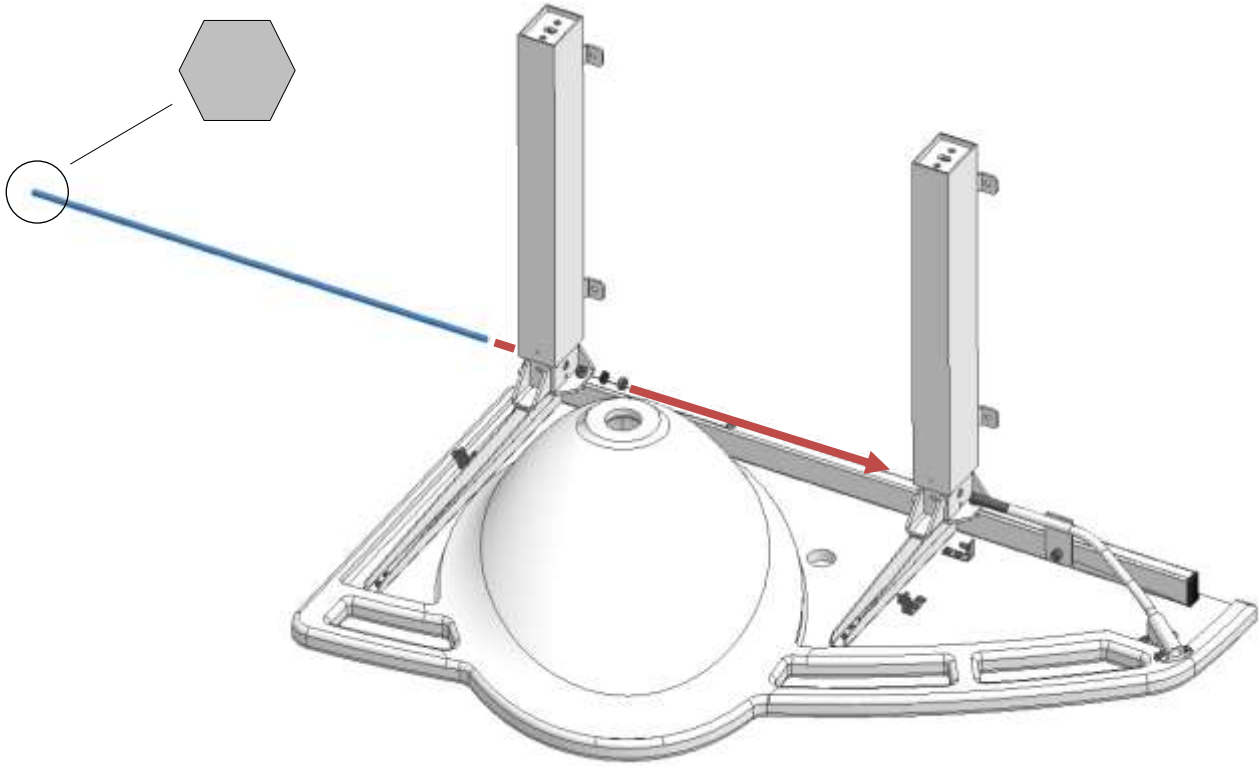


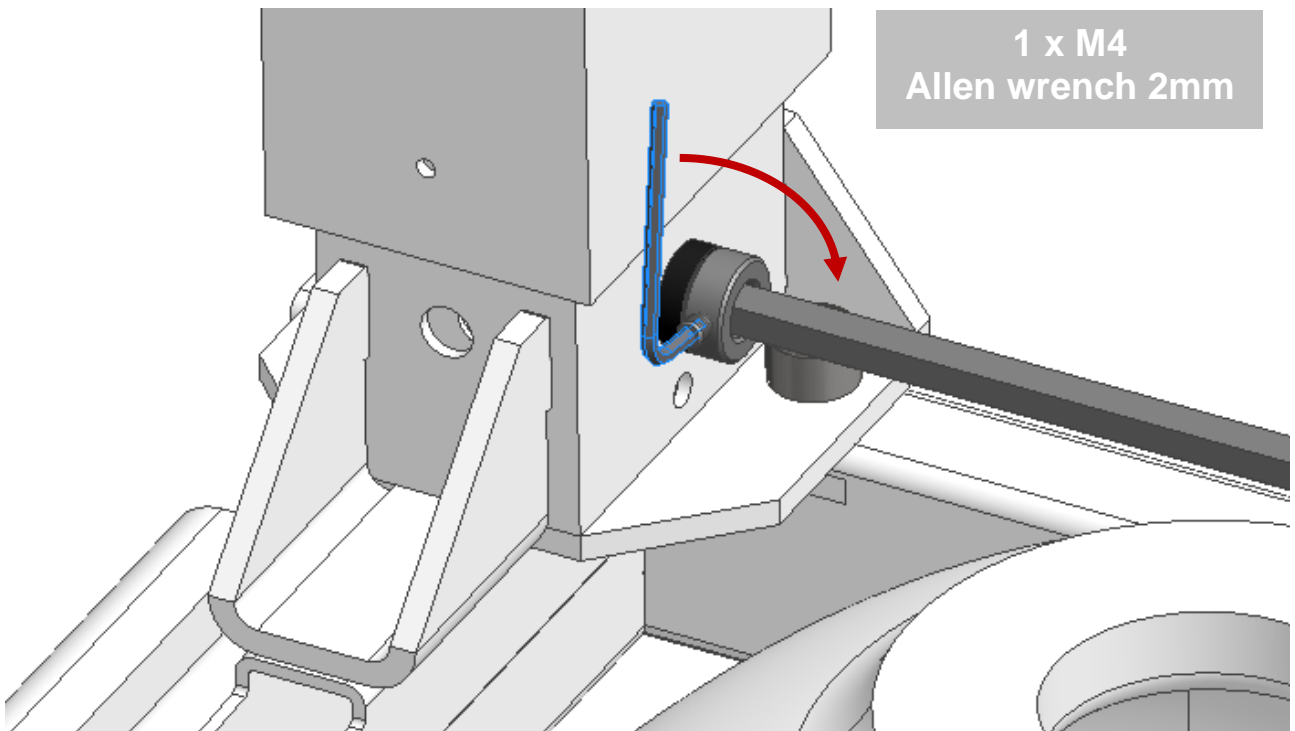
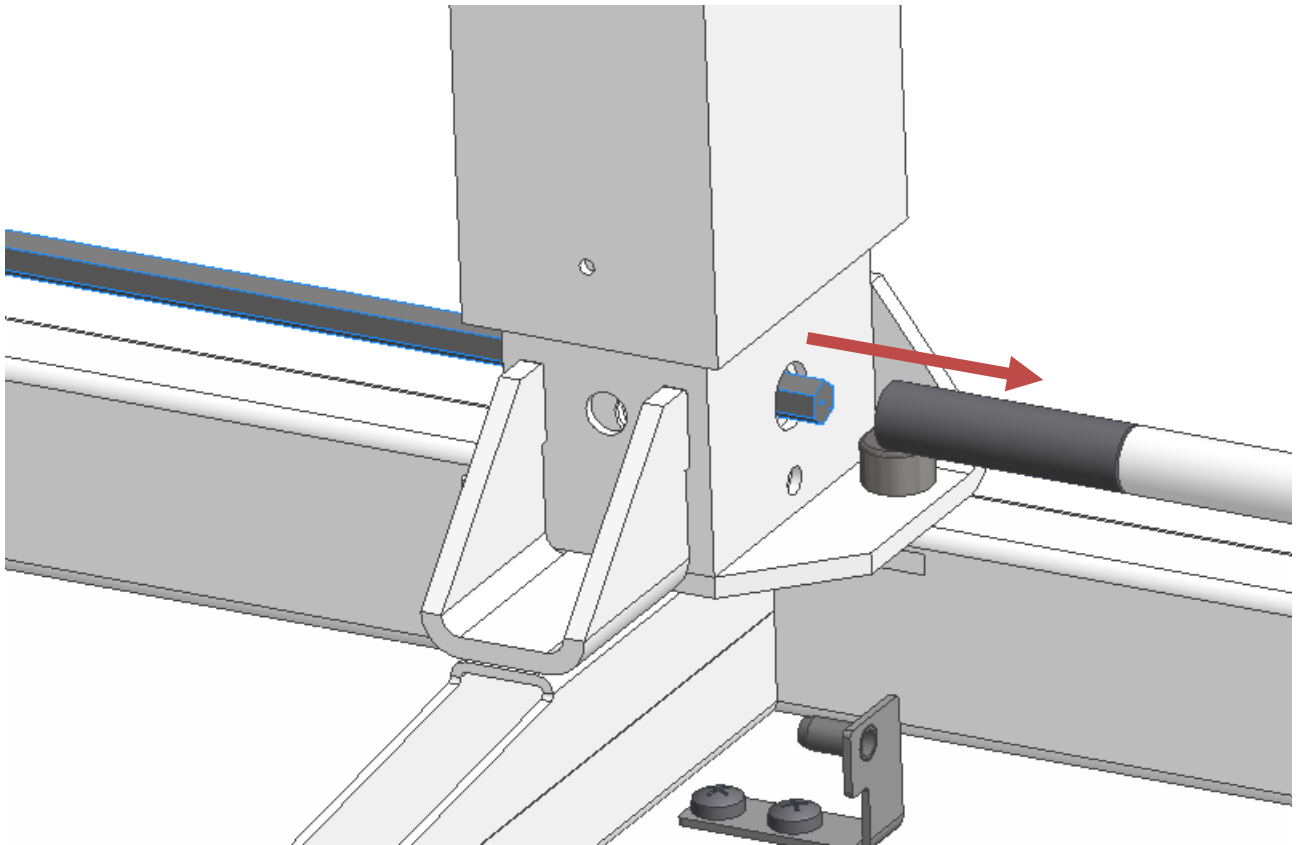


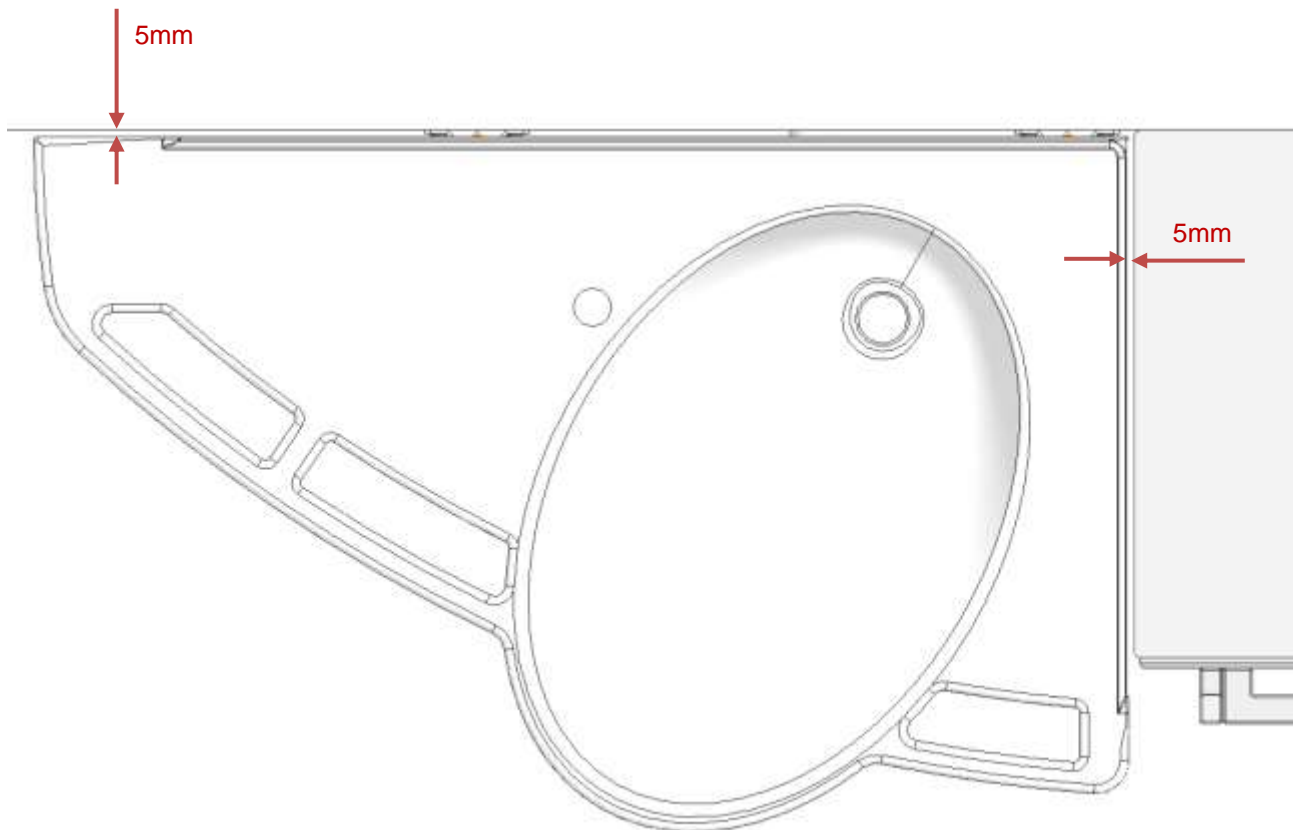
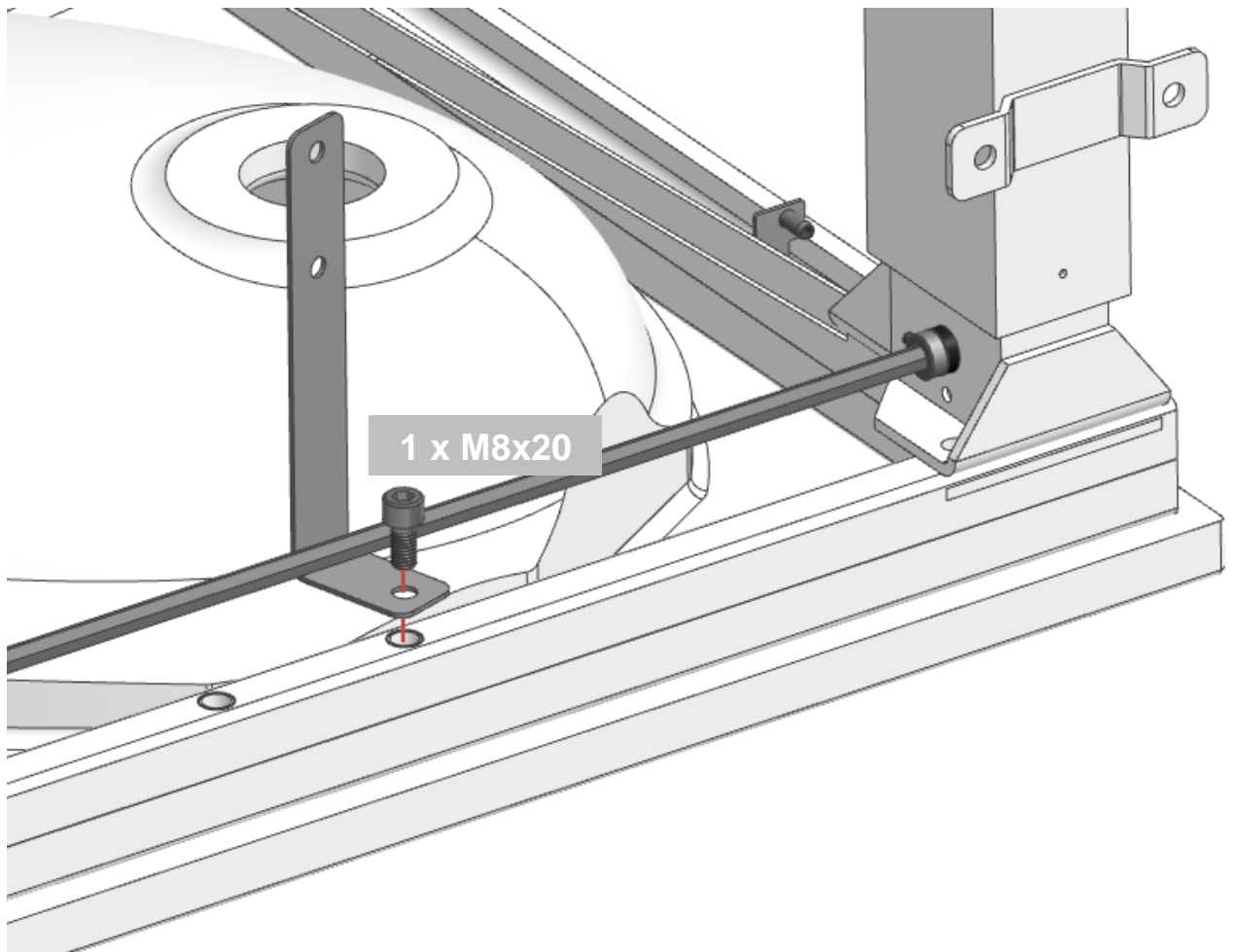


4.4.4 Support Washbasin with Manual frame (40-44004/05)

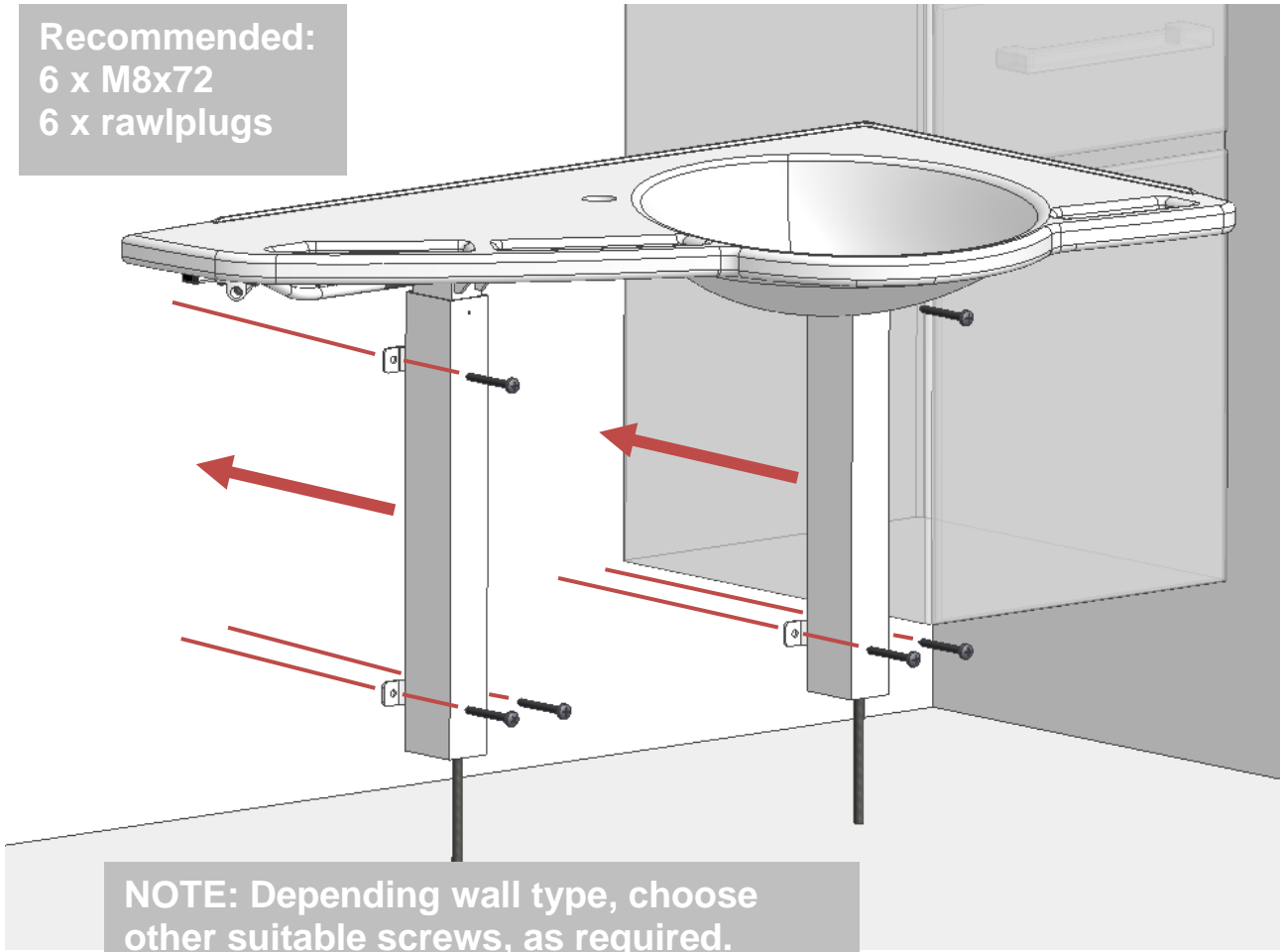




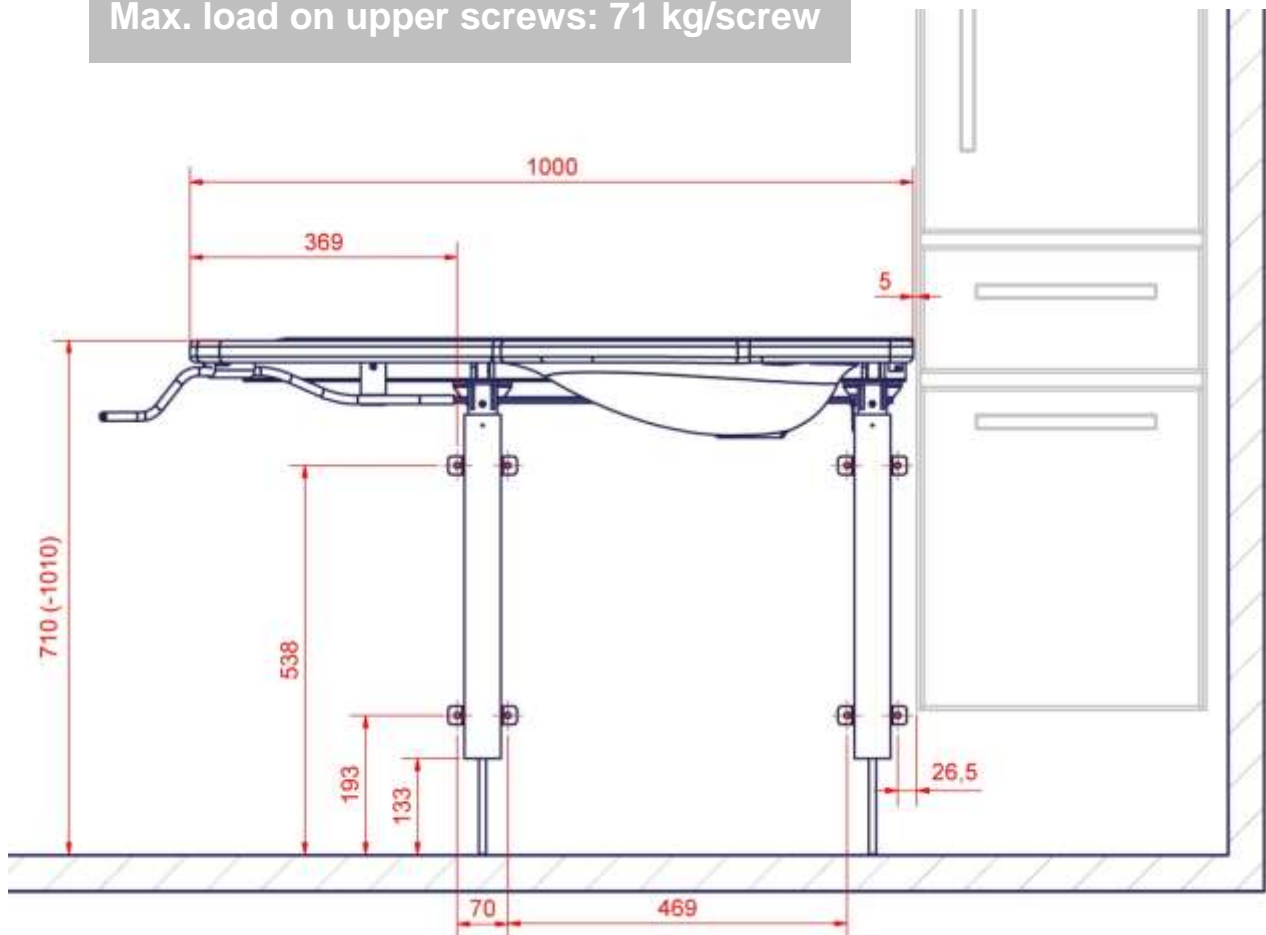


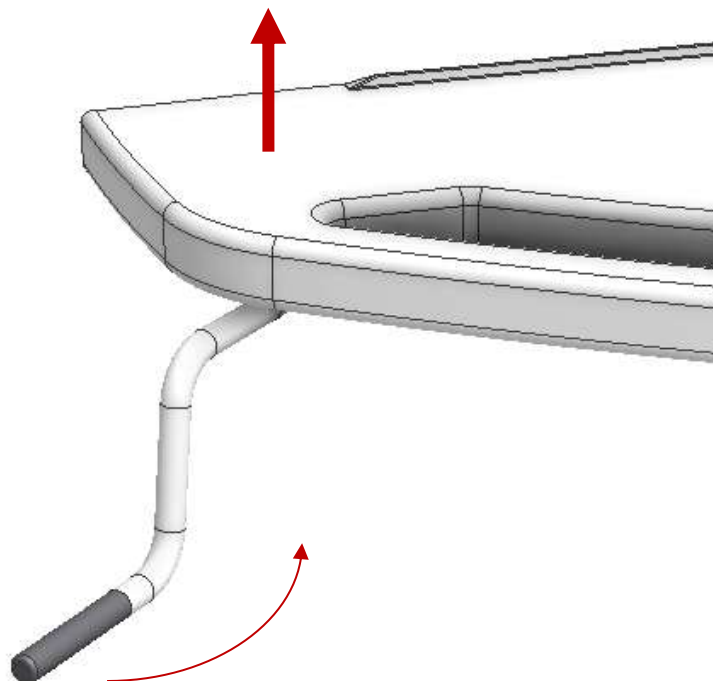
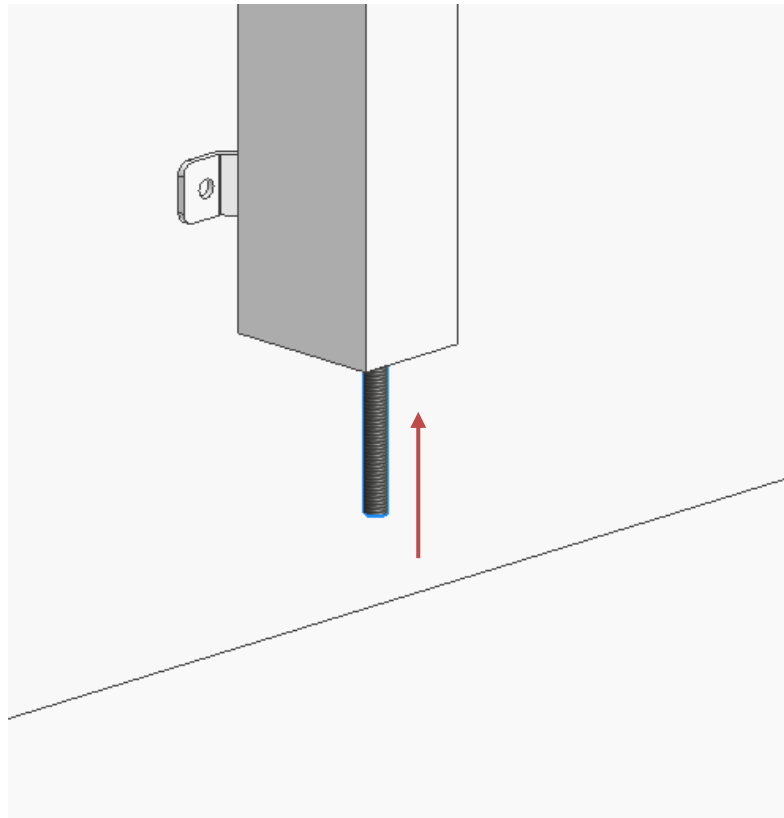


Recommended:
6 x M8x72
6 x rawlplugs

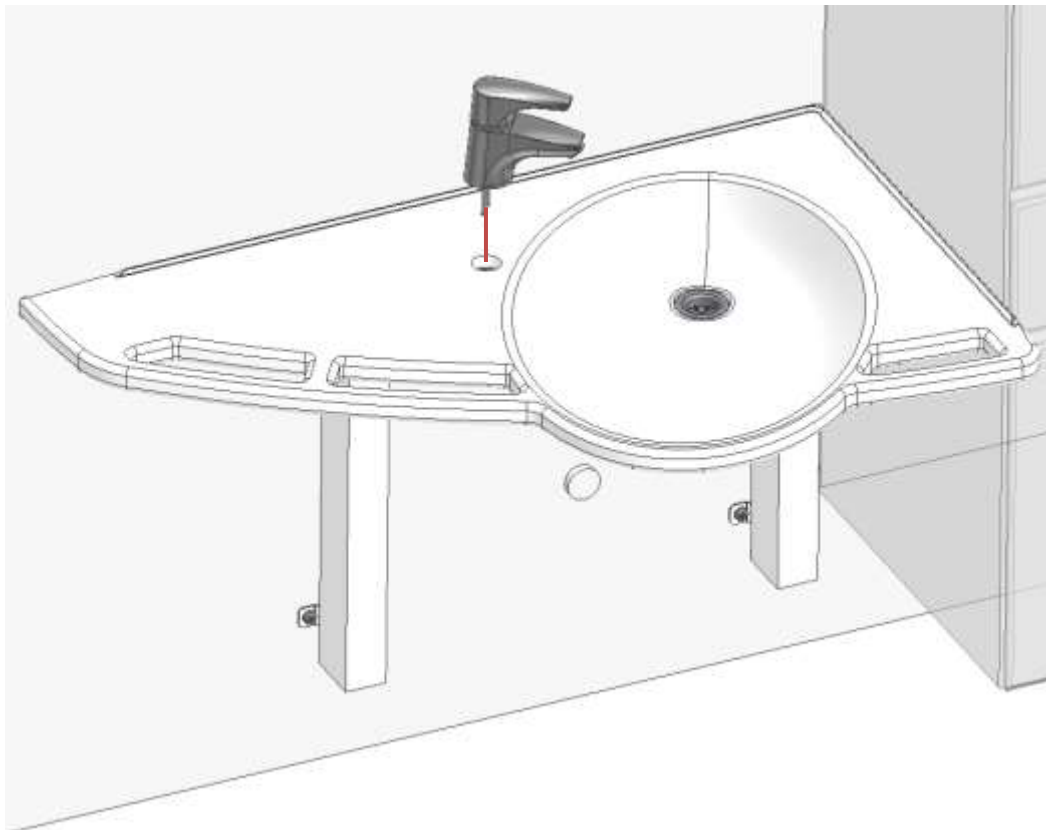
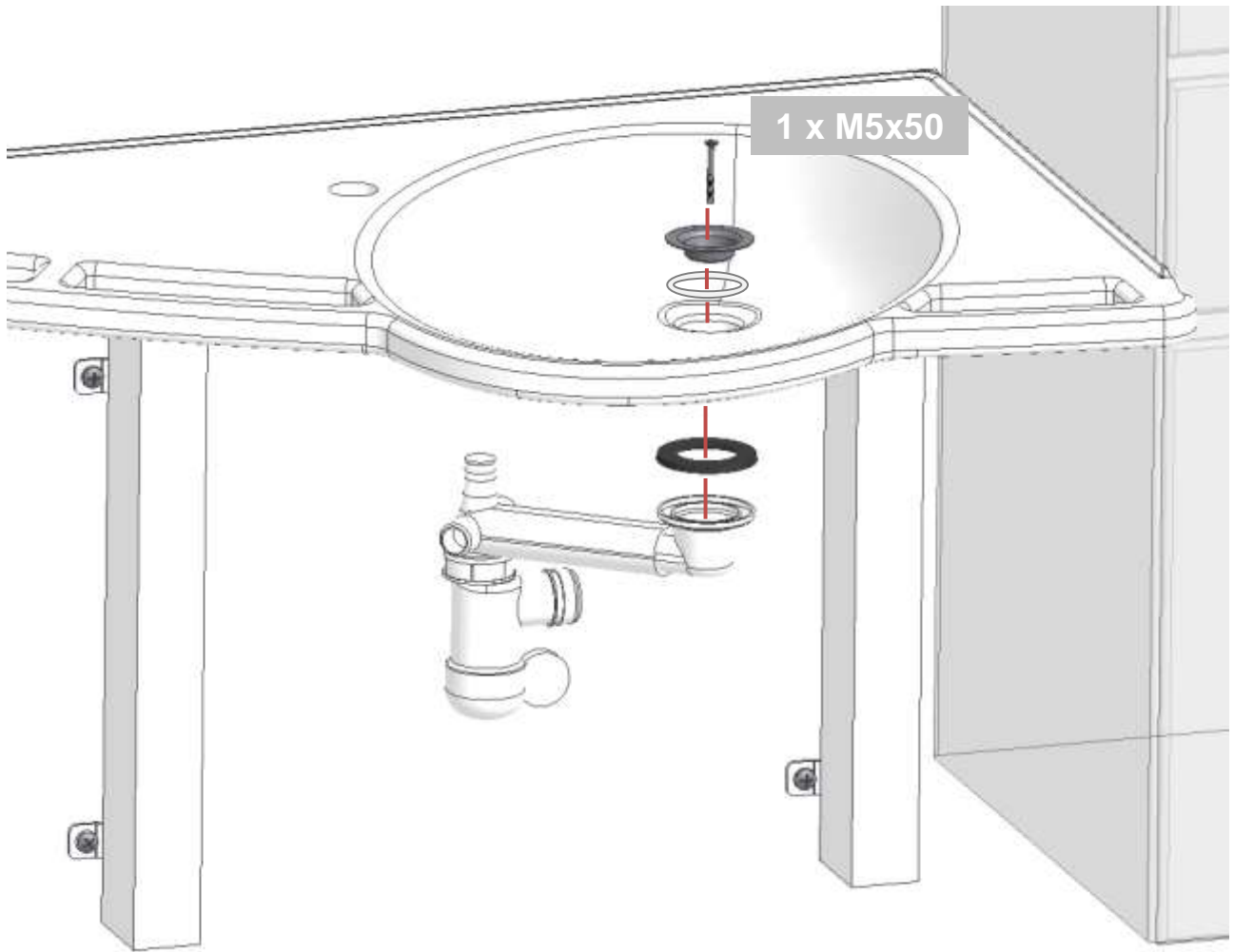


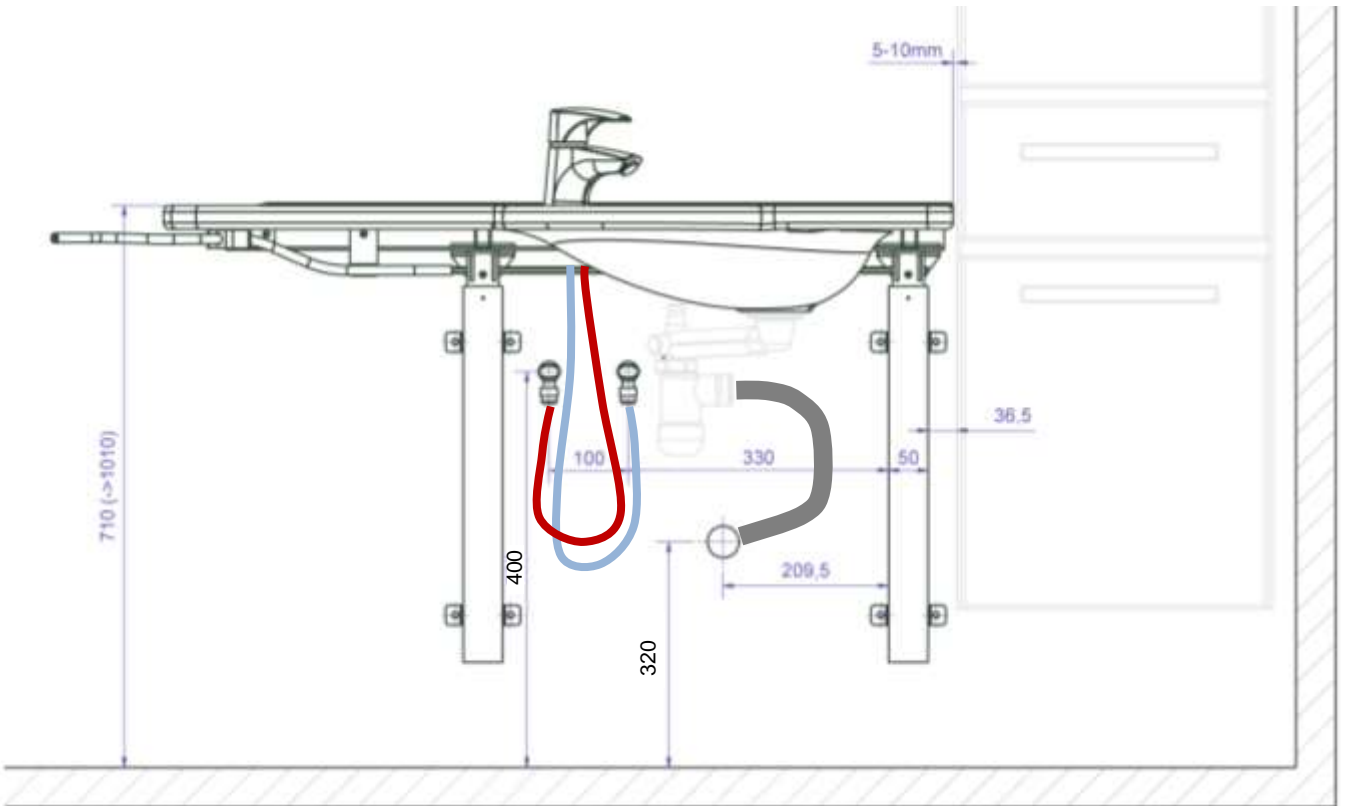
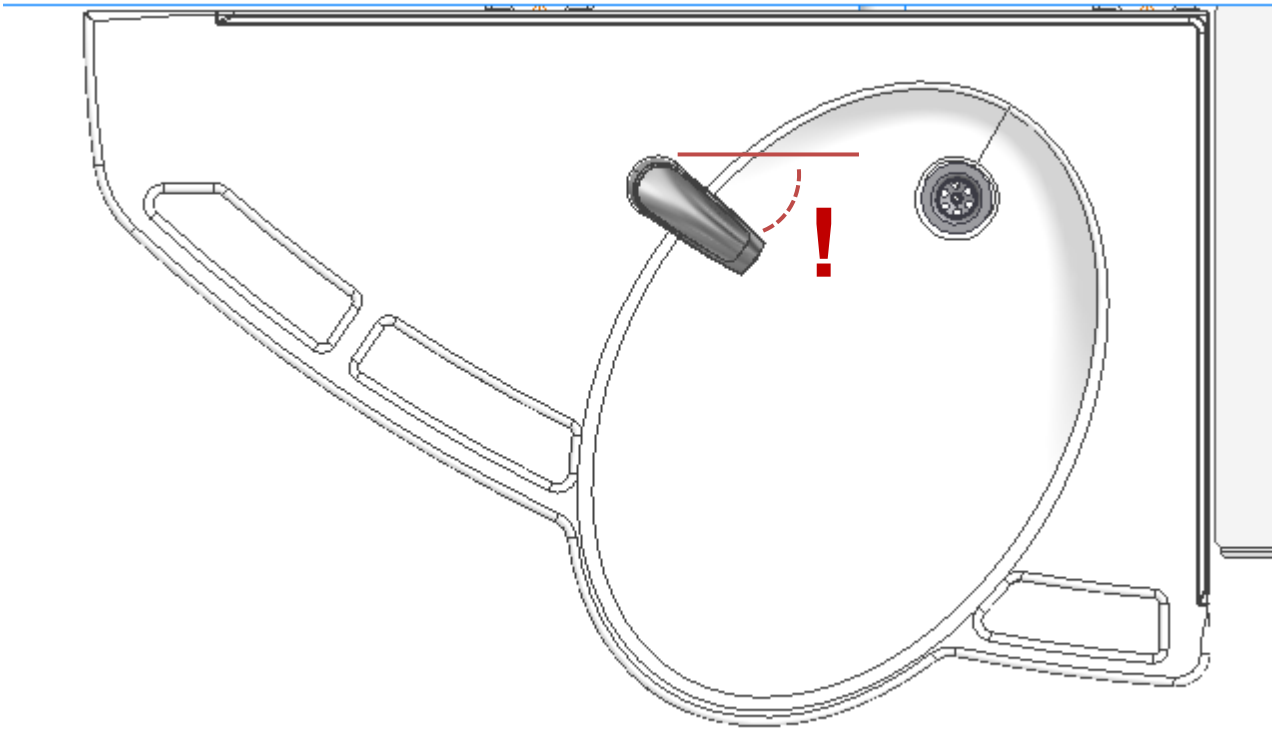
NOTE: Depending wall type, choose other suitable screws, as required.
Max. load on upper screws: 71 kg/screw



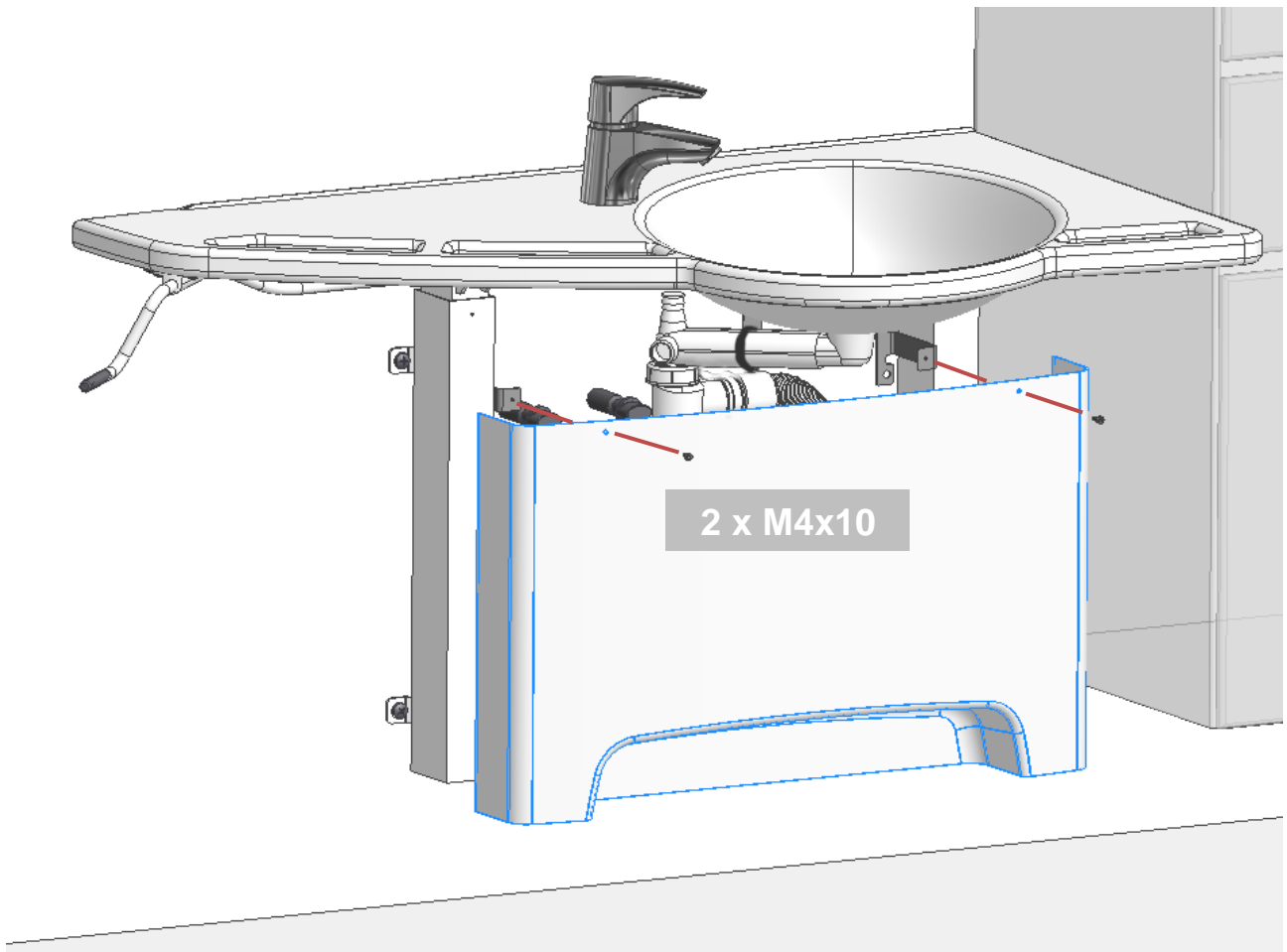
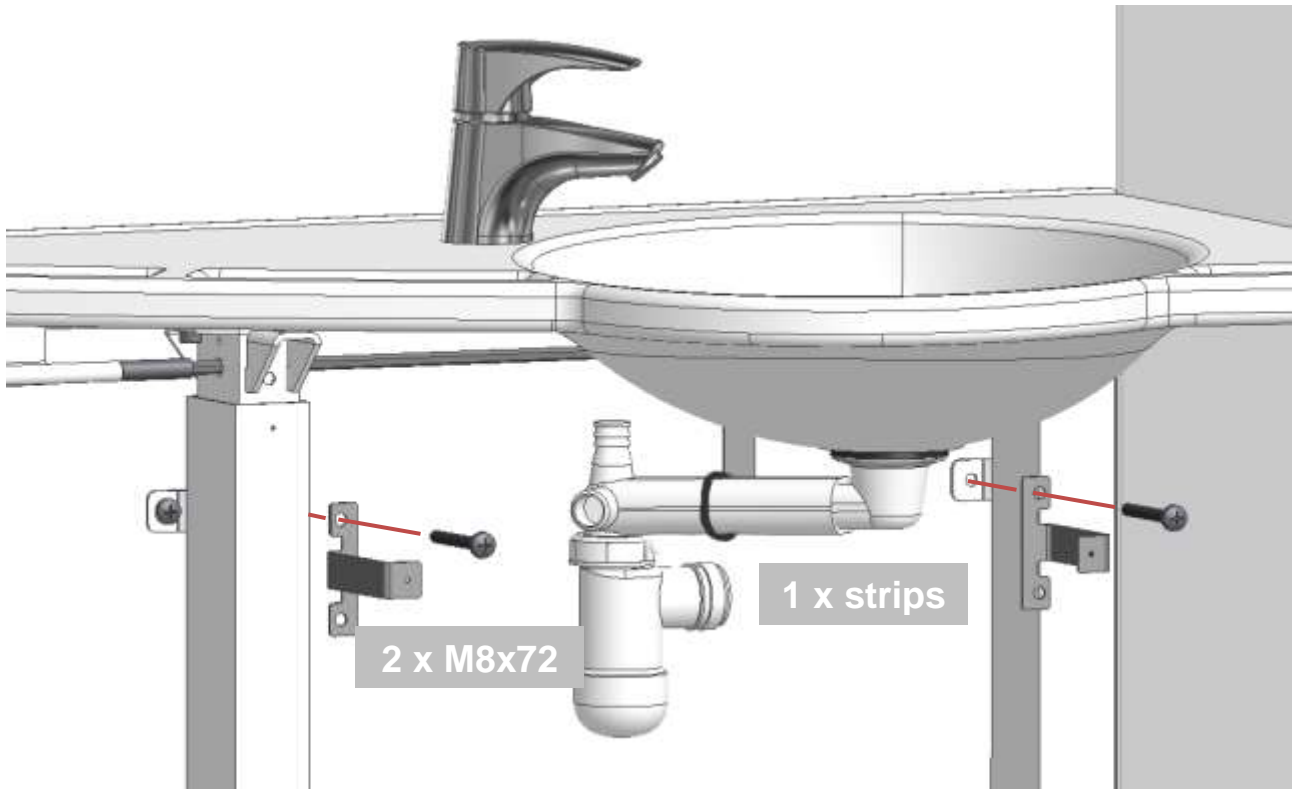


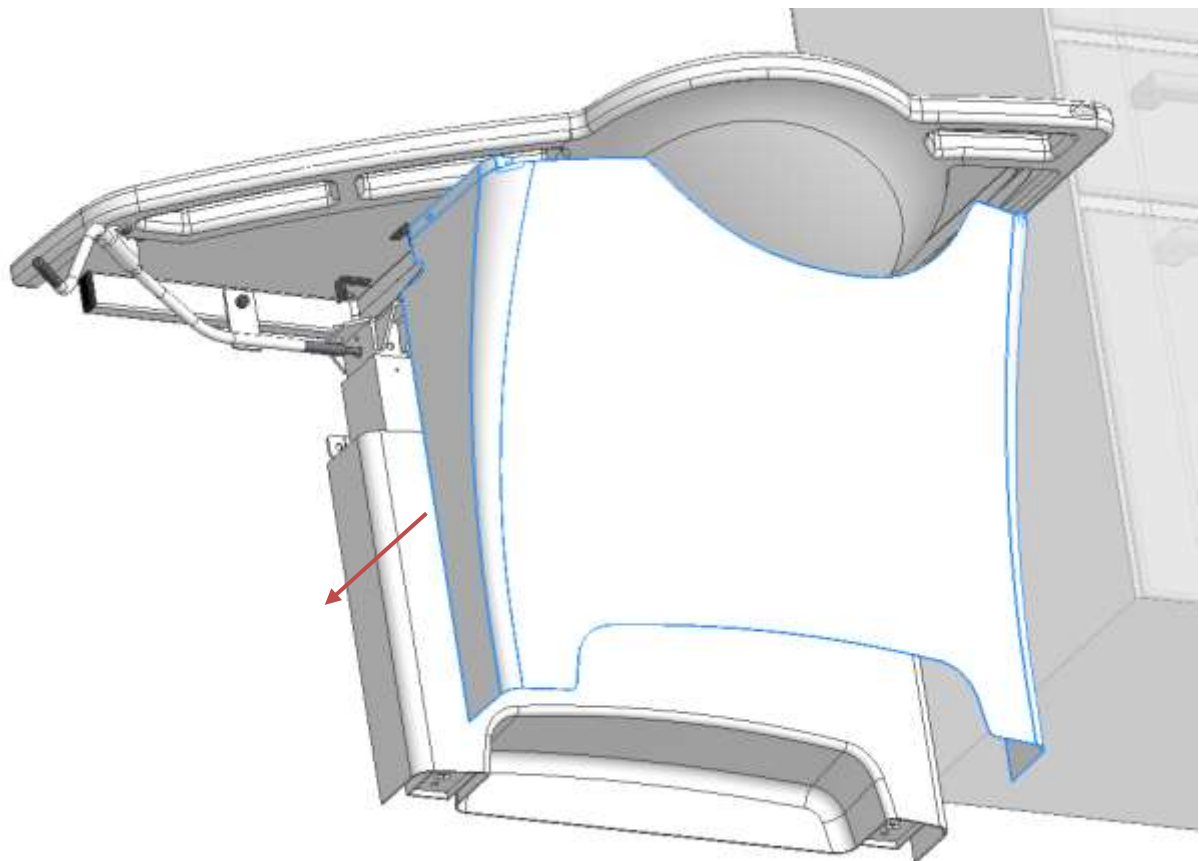
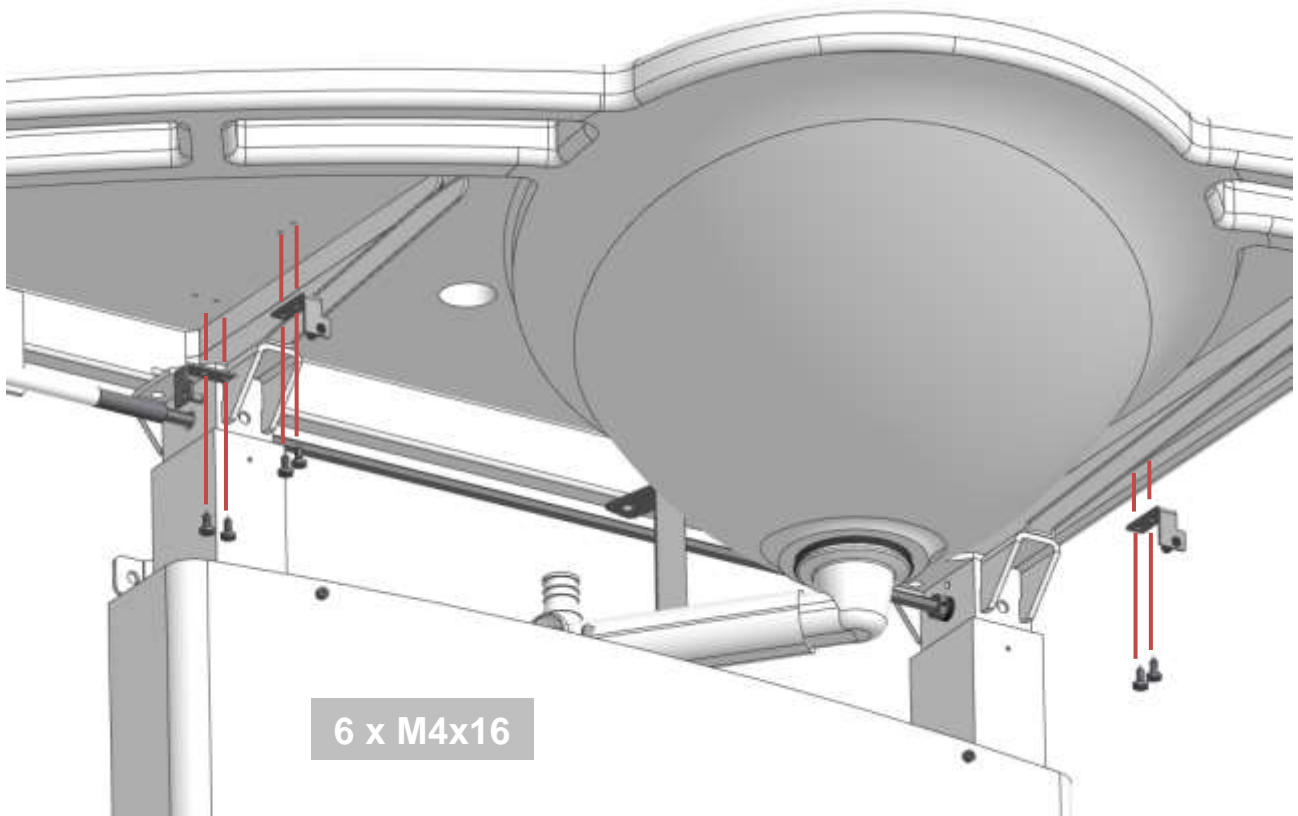
Tip: Move washbasin to top position to facilitate further mounting

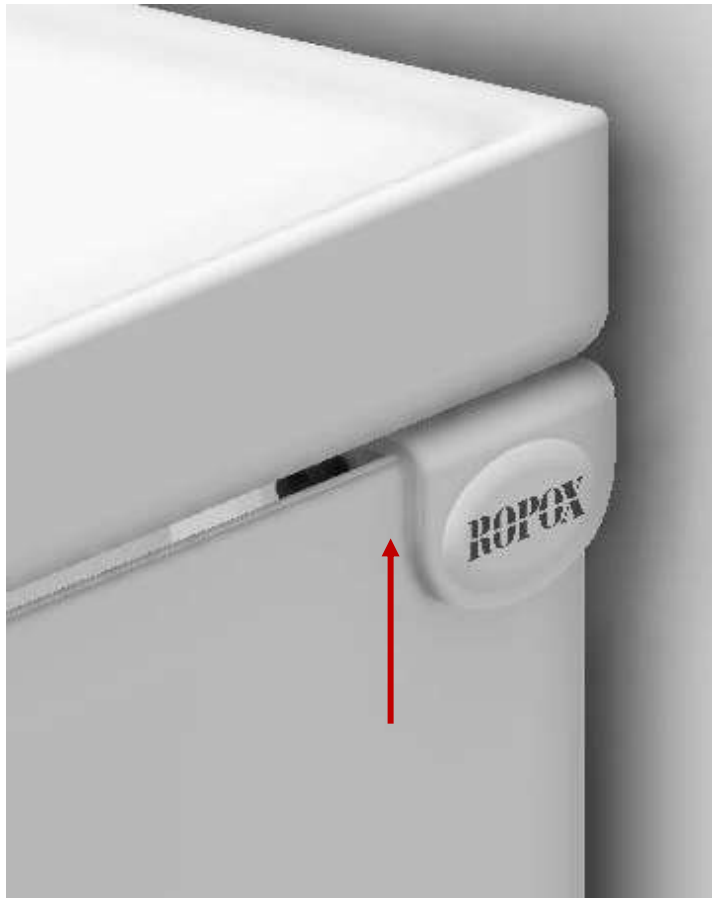
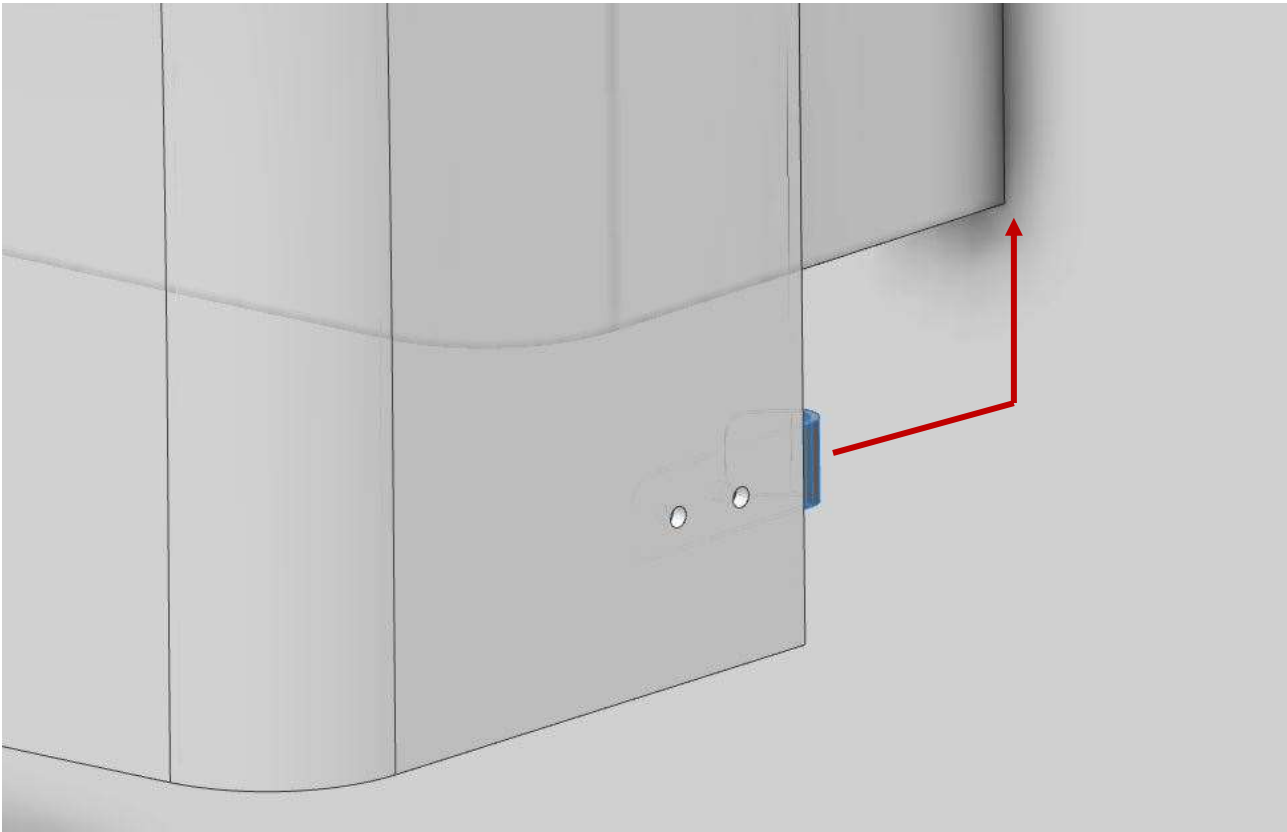


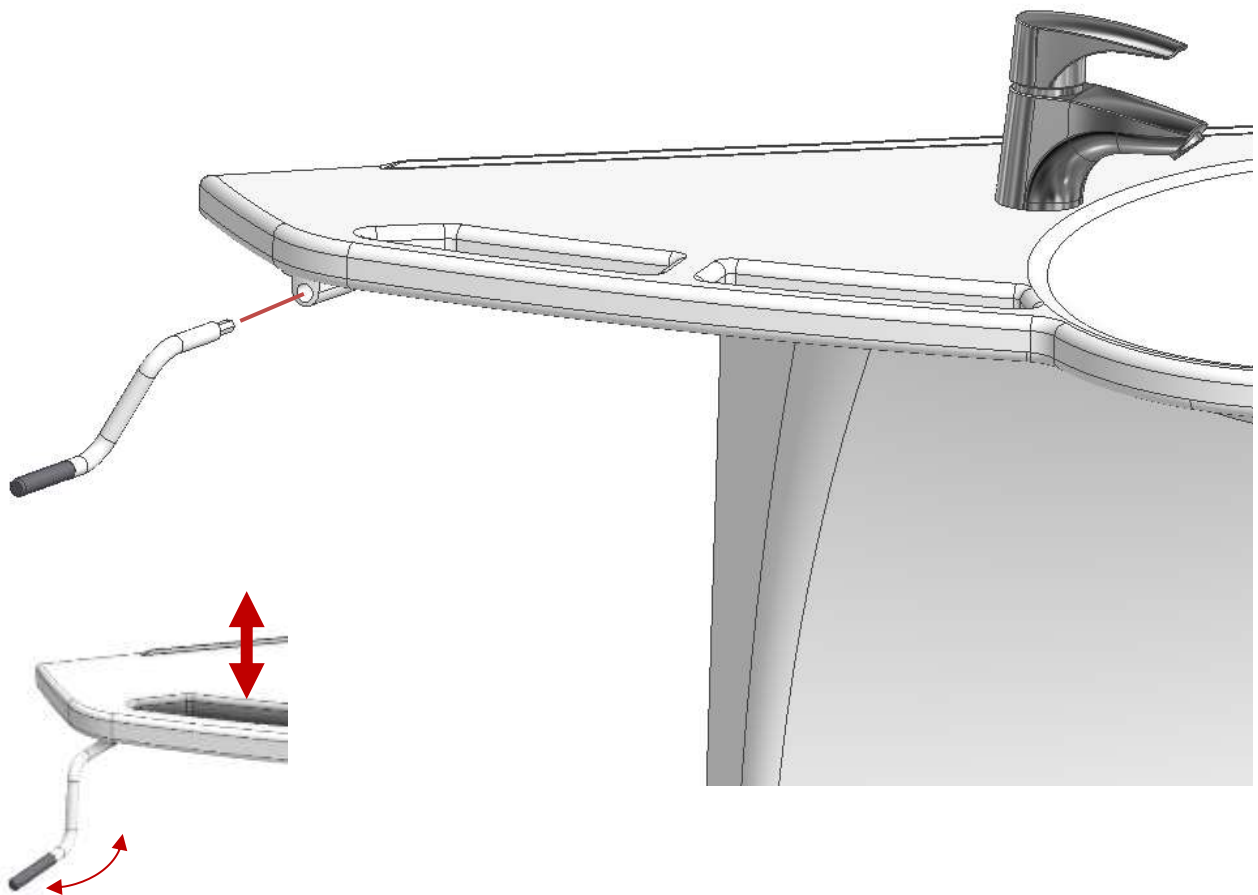
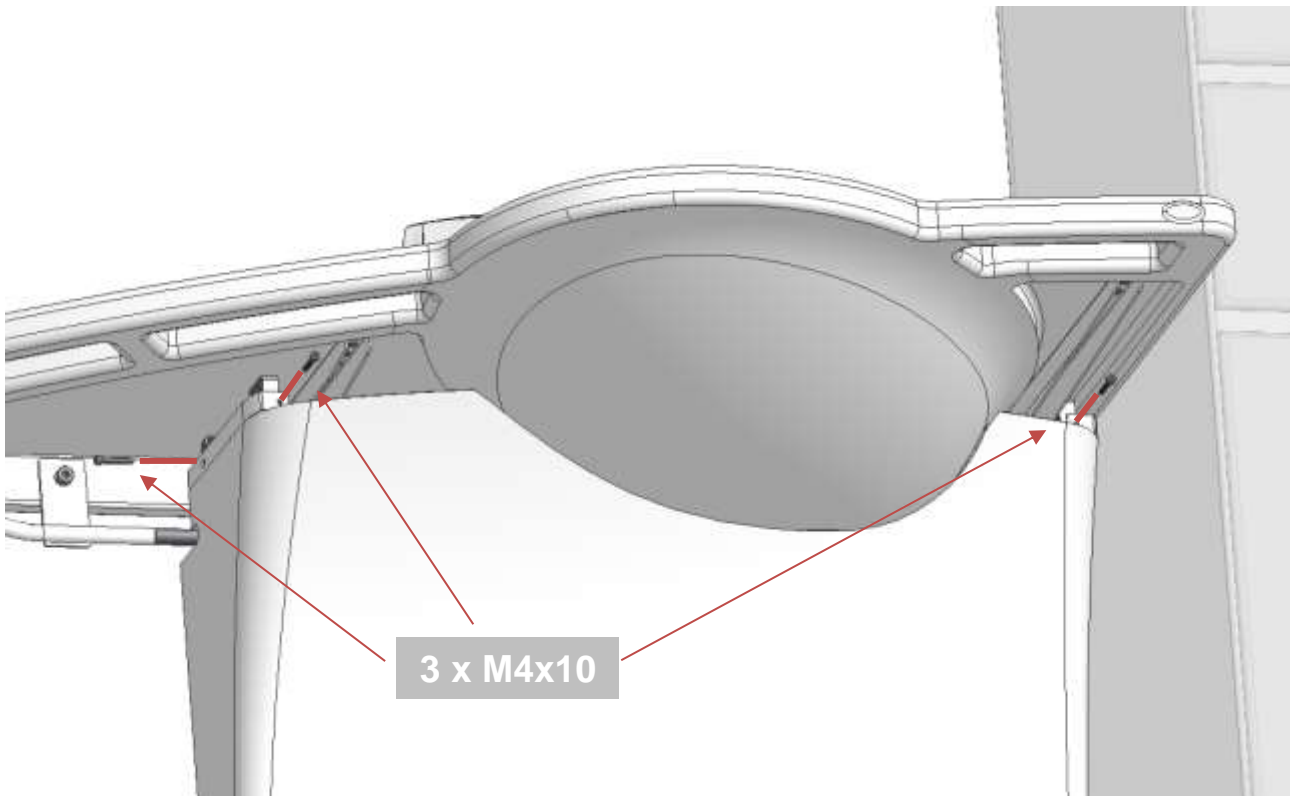


4.4.5 Mounting of covers for 40-44004/05









5. Performance test

After completed installation and before use, all functions of the Ropox Support Washbasin must be tested. After that, a performance test must be carried out at least once a year by competent personnel.

1. Check that the mounting instructions have been followed.
2. Check that all bolts and screws have been tightened.
3. Check that all drains and hoses have been correctly connected.
4. Ensure that there is no load on the frame.
5. Ensure that there are no objects preventing the frame from moving freely within the height adjustment range.

When these tests have been carried out successfully, Ropox Support Washbasin is ready for use. See Section "Safety in use".

6. Safety in use

- Ropox Support Washbasin must only be adjusted in height by persons who have read and understood these instructions.
- Some models of Ropox Support Washbasin are height-adjustable and must not be used as a lifting table or person lifter.
- Always use the washbasin in a manner excluding the risk of damage to persons or property. The person operating the washbasin is responsible for avoiding damage or injury.
- If the washbasin is used in publicly accessible locations where children or persons with reduced observation capacity may get near it, the person operating the washbasin must pay attention to those present in order to prevent dangerous situations.
- Make sure that there is free space above and below the washbasin to allow height adjustment.
- Do not overload Ropox Support Washbasin and make sure that the load distribution is correct.
- Do not operate the washbasin in case of defects or damage.
- Modifications, which may influence the performance or design of Ropox Support Washbasin, are not allowed.
- Be aware that the washbasin becomes slippery when wet.
- Be aware that if there is water in the washbasin when it is height adjusted, it may spray on the floor.
- Be aware that if the drain stops when the water is running, the floor will get wet.
- Installation, service and repairs must be carried out by competent personnel.
- During inspection, service or repairs any load must be removed from Ropox Support Washbasin.

7. Service and maintenance

7.1 Cleaning

During use, the product may get dirty. It is very important to clean the product as described in these instructions.


Wipe Ropox Support Washbasin with a wrung cloth with lukewarm water and a mild detergent. Do not use enchants, abrasives or grinding cloths, brushes and sponges.

7.2 Cleaning of tabletop and washbasin


Ropox Support Washbasin is made of a composite material of marble and plastic granulate with a gel coat surface. This gives a hard and very hardwearing finish, which is easy to clean. Wash the surfaces daily with water and dry with a cloth. Do not use detergents containing hard abrasives – e.g. steel wool, scouring powder or sulphuric acid.


If the water has high calcium content, calcareous deposits will often occur. These deposits should be removed at least once a week by using a detergent containing citric acid, acetic acid or phosphoric acid. Leave the detergent to work for 5 to 10 minutes depending on the thickness of the deposits and clean thoroughly with a soft scouring sponge.

Disinfection of the basin may be done with household spirits.

	<p>Note!</p> <p>Do not use cleaning agents containing abrasive e.g. scouring powder, steel wool, scouring sponge.</p> <p>This product is not designed to be sterilized, autoclaving and sterilization beyond normal cleaning may possibly change the product safety and function.</p>
--	--

7.3 Inspection

	<p>Note!</p> <p>Failing to comply with periodic maintenance may result of degrading of product function and safety.</p>
---	--

	<p>Note!</p> <p>Ropox will make parts list available for maintenance and repair beyond what is described in this manual. Only use Ropox original spare parts for replacement. If other spare parts are used, the whole guarantee may become void. Repair beyond what is described in this manual may only be done by Ropox designated service personnel.</p>
---	---

The frame of Ropox Support Washbasin is maintenance-free. Moving parts have been lubricated for life. For reasons of safety and reliability, we recommend inspection of the frame once a year.

Annual inspection:

- Check that all bolts and screw have been securely tightened.
- Check that the frame moves freely and without problems from bottom to top position.
- Check that water hoses and drain hoses are tight and functional.

After each inspection, complete the service schedule.

7.4 Service schedule

Service and maintenance Serial No.
Date: _____
Signature: _____
Comments: _____

Service and maintenance Serial No.
Date: _____
Signature: _____
Comments: _____

Service and maintenance Serial No.
Date: _____
Signature: _____
Comments: _____

Service and maintenance Serial No.
Date: _____
Signature: _____
Comments: _____

8. Faultfinding

The frame seems loose or unstable

- The assembly screws of the frame have not been securely tightened.
- Retighten all screws of the frame according to the mounting instructions.



The washbasin cannot be adjusted in height / adjustment is very difficult


- Check that there are no jammed objects preventing adjustment.

It takes too long for the water to leave the washbasin

- Check the siphon for clogging and clean it, if required.
- Check that the flexible hose on the wall has not been positioned so high that it acts as an extra siphon. Cf. recommendation section 6.

9. List of spare parts

<p>Handle M6</p> <p>Item No. 96000177 Applies to 40-44012/13 only</p>	
<p>Hand crank</p> <p>Item No. 20-60320-548 Applies to 40-44014/15 only</p>	

	<p>Caution!</p> <p>Only use original Ropox spare parts as replacement parts. If other parts are used, the warranty may be void.</p>
---	--

10. Environmental protection

The product is not intended to be disposed as municipal waste. Proper disassembly, sorting and disposal of components must be done by waste disposal professionals.



Part	Disposal recommendation
Wash basin	Ceramic
Main unit	Steel
Mixer tap	Steel
Cover	Plastic

11. Complaints

See General Terms of Sale and Delivery on www.ropox.dk



ROPOX A/S

Ringstedgade 221
DK – 4700 Næstved

Tel.: +45 55 75 05 00 Fax.: +45 55 75 05 50

E-mail: info@ropox.dk

www.ropox.dk